

NOTE: THIS DRAFT DETAIL IS FOR GENERAL ARRANGEMENT PURPOSES ONLY, AND DOES NOT NECESSARILY REPRESENT A DETAIL THAT IS APPROPRIATE FOR A SPECIFIC PROJECT. PRODUCTS AND ACCESSORIES PROVIDED BY CASCADIA MUST BE CONFIRMED FOR SPECIFIC PROJECTS.

NOTE: NAIL FLANGE IS CONTINUOUS

CASCADIA WINDOWS LTD.
 #101-5350 275TH STREET
 LANGLEY, BC, CANADA V4W 0C1

DRAWING TITLE: **UNIVERSAL SERIES [®] - WINDOW HEAD+SILL**
STANDARD NAIL FLANGE INSTALLATION (CW-NF2)

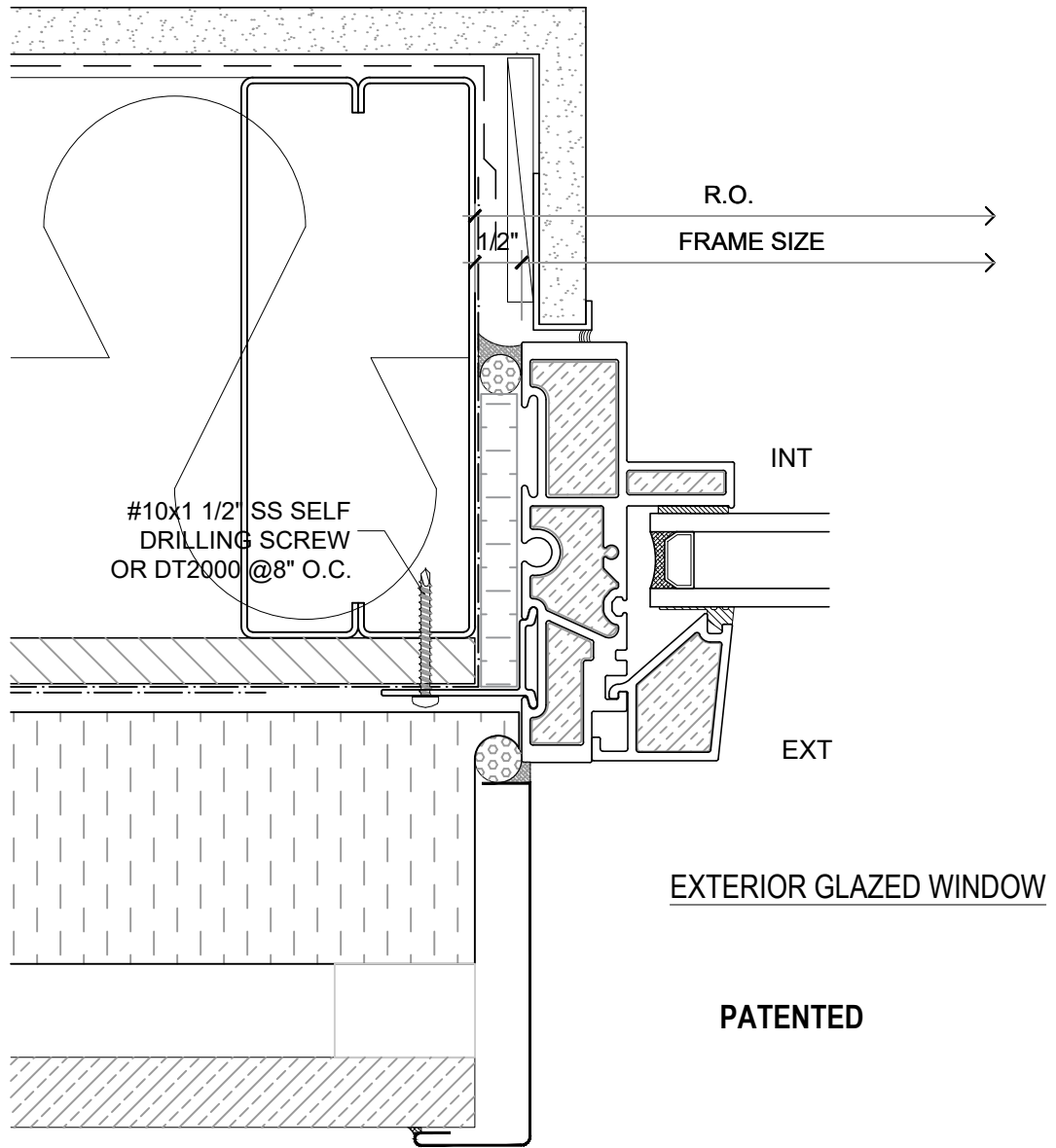
DRAWING NO.: **NF-1.01**

SCALE: 6" = 1'-0"

PATENTED

DATE: 26 AUGUST, 2020

DRAWN BY: CP



NOTE: THIS DRAFT DETAIL IS FOR GENERAL ARRANGEMENT PURPOSES ONLY, AND DOES NOT NECESSARILY REPRESENT A DETAIL THAT IS APPROPRIATE FOR A SPECIFIC PROJECT. PRODUCTS AND ACCESSORIES PROVIDED BY CASCADIA MUST BE CONFIRMED FOR SPECIFIC PROJECTS.

NOTE: NAIL FLANGE IS CONTINUOUS

CASCADIA WINDOWS LTD.
#101-5350 275TH STREET
LANGLEY, BC, CANADA V4W 0C1

DRAWING
TITLE:

UNIVERSAL SERIES [®] - WINDOW JAMB
STANDARD NAIL FLANGE INSTALLATION (CW-NF1)

DRAWING NO.:

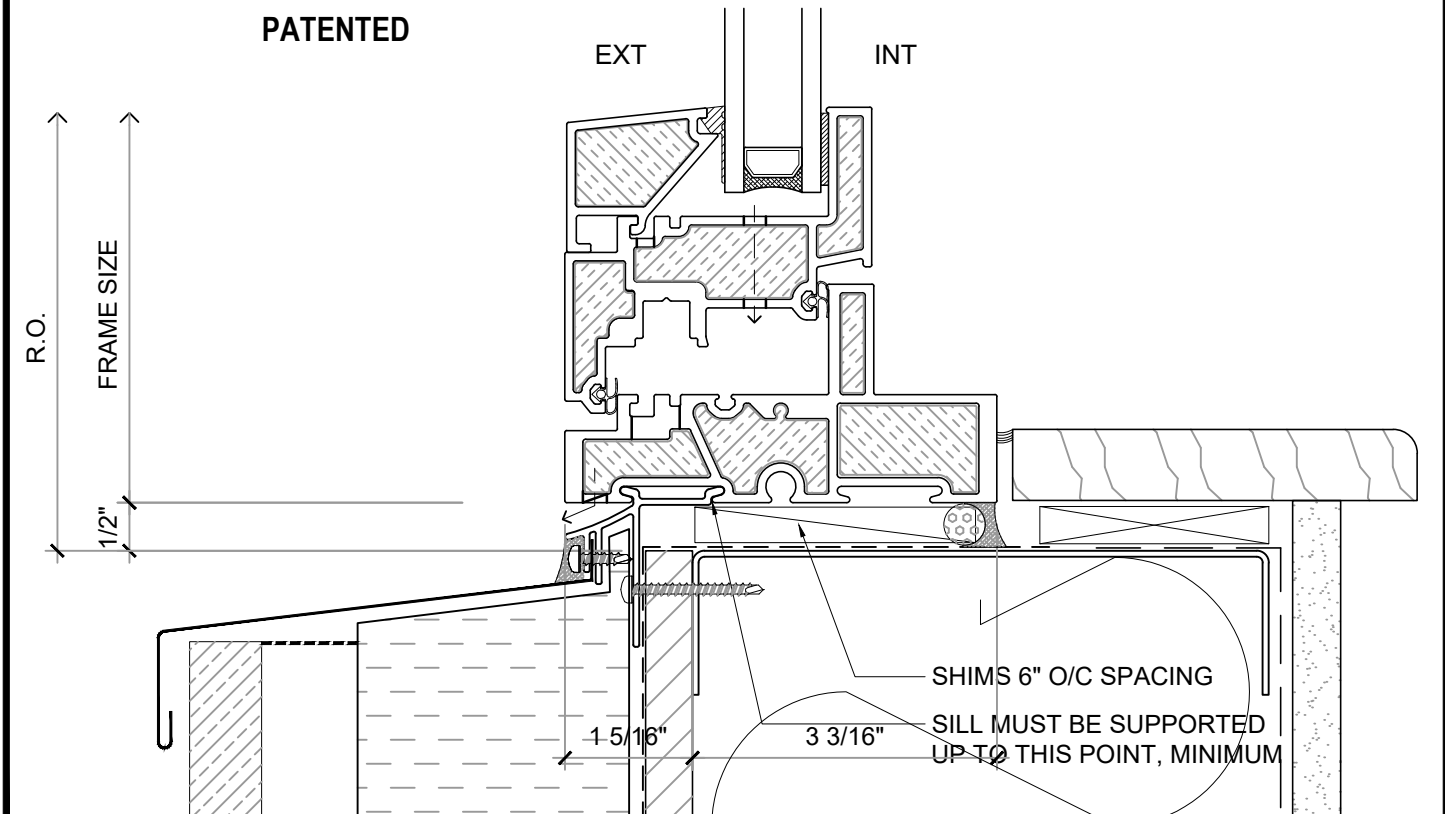
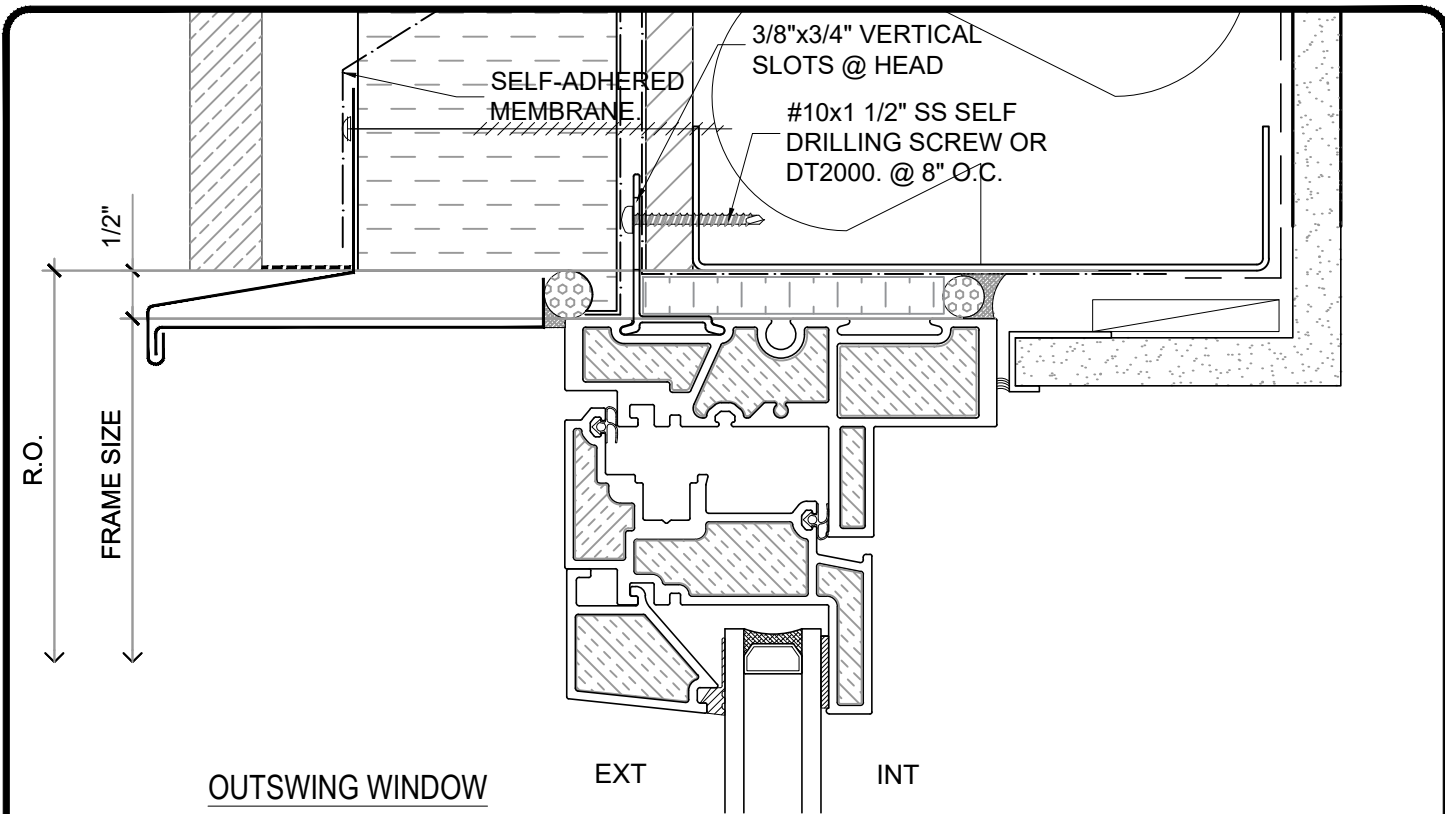
NF-1.02

SCALE: 6" = 1'-0"

PATENTED

DATE: 26 AUGUST, 2020

DRAWN BY: CP



NOTE: THIS DRAFT DETAIL IS FOR GENERAL ARRANGEMENT PURPOSES ONLY, AND DOES NOT NECESSARILY REPRESENT A DETAIL THAT IS APPROPRIATE FOR A SPECIFIC PROJECT. PRODUCTS AND ACCESSORIES PROVIDED BY CASCADIA MUST BE CONFIRMED FOR SPECIFIC PROJECTS.

NOTE: NAIL FLANGE IS CONTINUOUS

CASCADIA WINDOWS LTD.
 #101-5350 275TH STREET
 LANGLEY, BC, CANADA V4W 0C1

DRAWING TITLE: **UNIVERSAL SERIES © - WINDOW HEAD+SILL**
 STANDARD NAIL FLANGE INSTALLATION (CW-NF2)

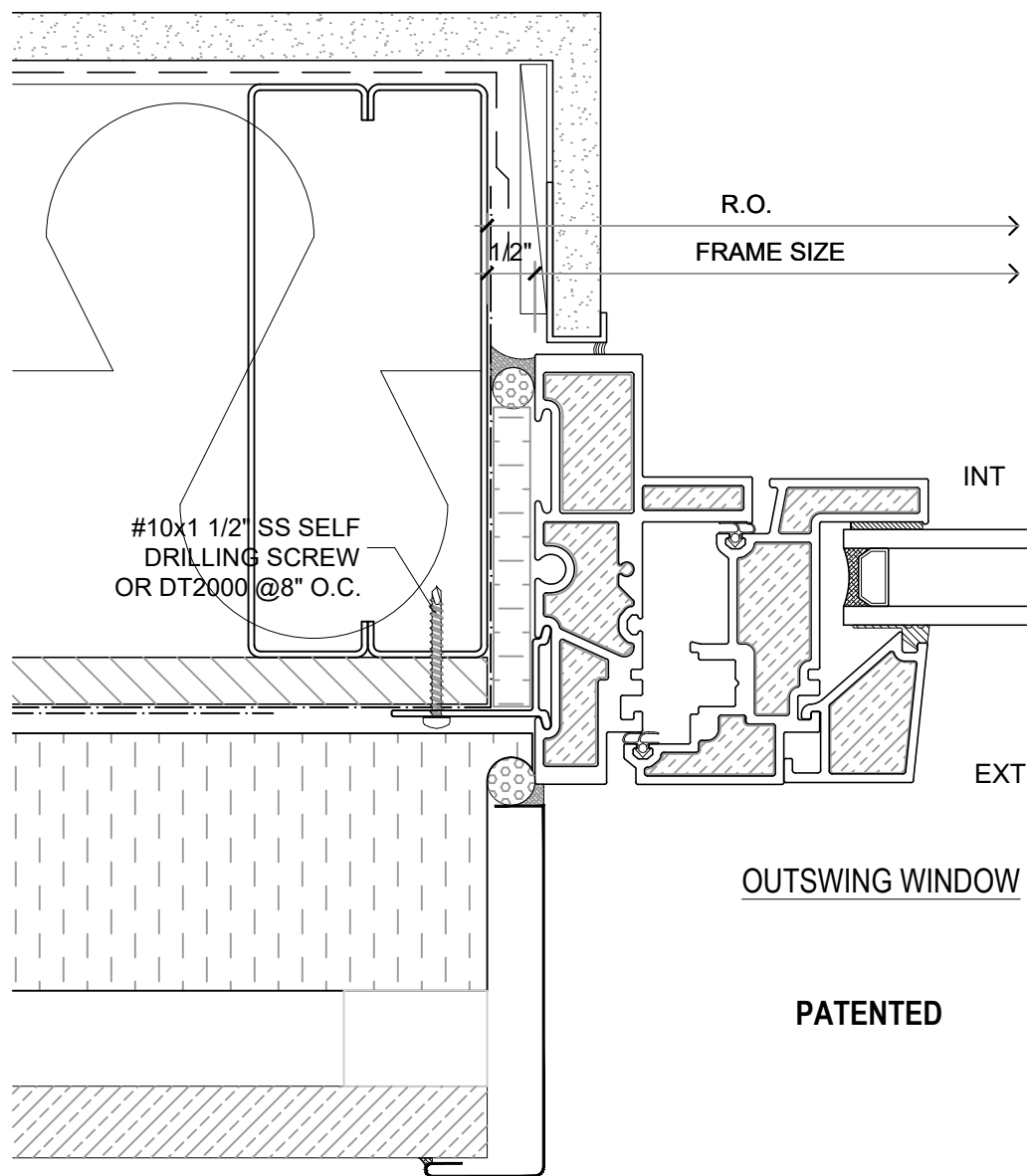
DRAWING NO.: **NF-1.03**

SCALE: 6" = 1'-0"

PATENTED

DATE: 26 AUGUST, 2020

DRAWN BY: CP



NOTE: THIS DRAFT DETAIL IS FOR GENERAL ARRANGEMENT PURPOSES ONLY, AND DOES NOT NECESSARILY REPRESENT A DETAIL THAT IS APPROPRIATE FOR A SPECIFIC PROJECT. PRODUCTS AND ACCESSORIES PROVIDED BY CASCADIA MUST BE CONFIRMED FOR SPECIFIC PROJECTS.

NOTE: NAIL FLANGE IS CONTINUOUS

CASCADIA WINDOWS LTD.
 #101-5350 275TH STREET
 LANGLEY, BC, CANADA V4W 0C1

DRAWING
 TITLE:

UNIVERSAL SERIES © - WINDOW JAMB
STANDARD NAIL FLANGE INSTALLATION (CW-NF1)

DRAWING NO.:

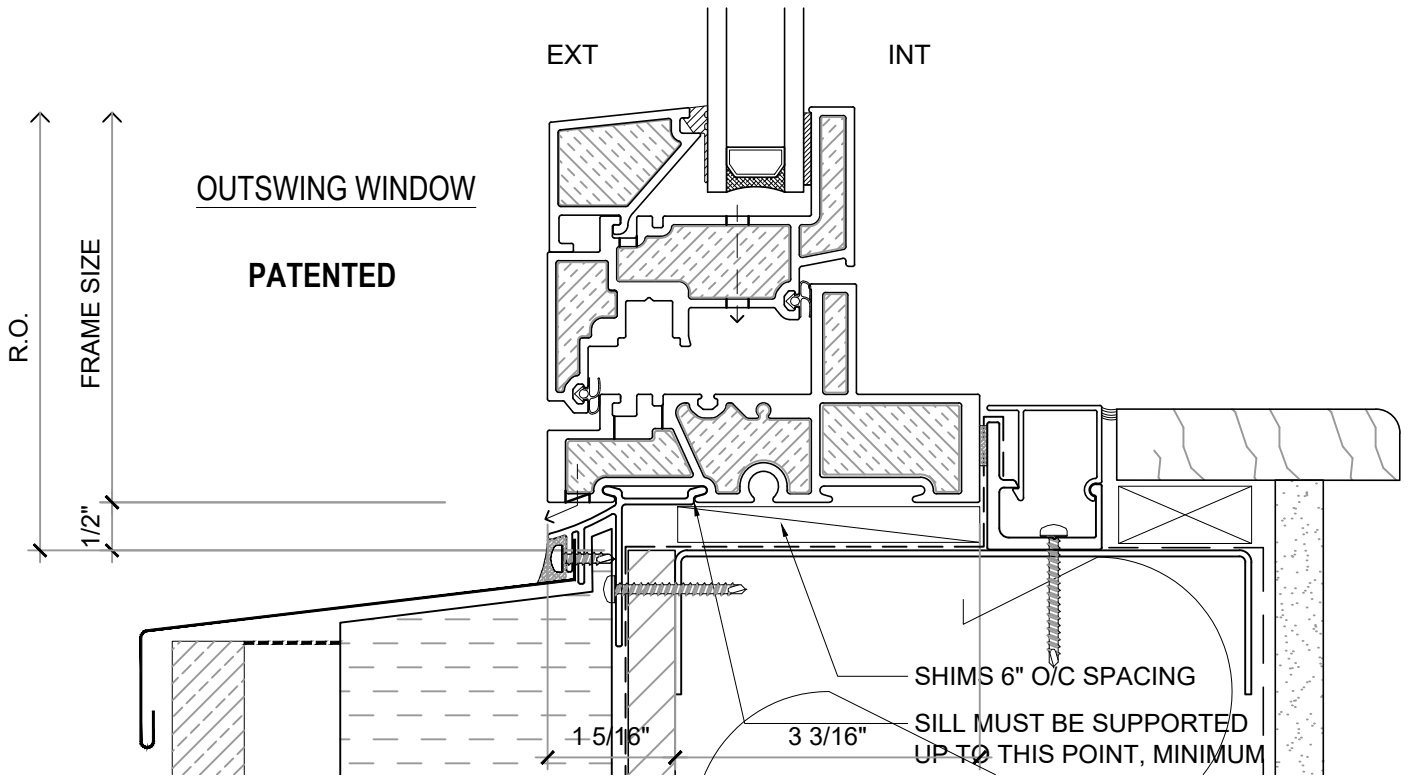
NF-1.04

SCALE: 6" = 1'-0"

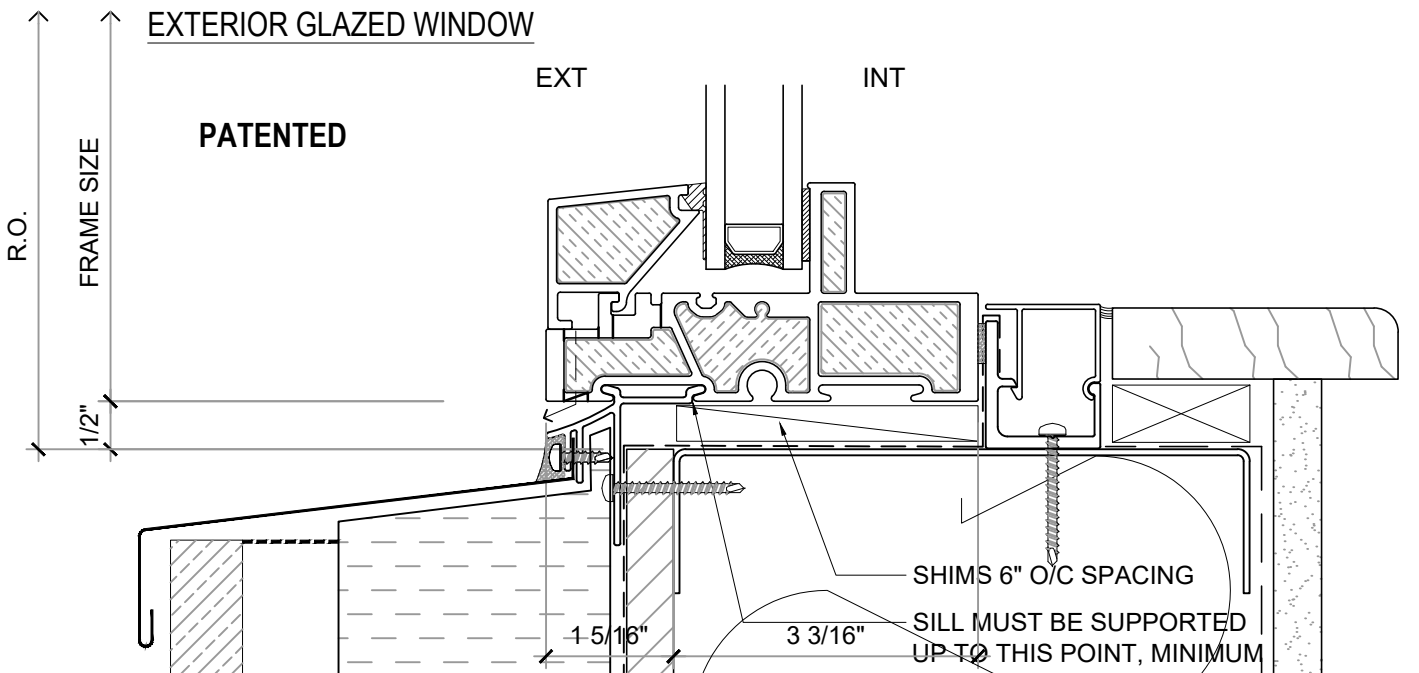
PATENTED

DATE: 26 AUGUST, 2020

DRAWN BY: CP



ALTERNATE SILL DETAILS



NOTE: THIS DRAFT DETAIL IS FOR GENERAL ARRANGEMENT PURPOSES ONLY, AND DOES NOT NECESSARILY REPRESENT A DETAIL THAT IS APPROPRIATE FOR A SPECIFIC PROJECT. PRODUCTS AND ACCESSORIES PROVIDED BY CASCADIA MUST BE CONFIRMED FOR SPECIFIC PROJECTS.

NOTE: NAIL FLANGE IS CONTINUOUS

CASCADIA WINDOWS LTD.
#101-5350 275TH STREET
LANGLEY, BC, CANADA V4W 0C1

DRAWING TITLE:
UNIVERSAL SERIES © - ALTERNATE WINDOW SILLS
STANDARD NAIL FLANGE INSTALLATION (CW-NF2) & SILL ANGLE

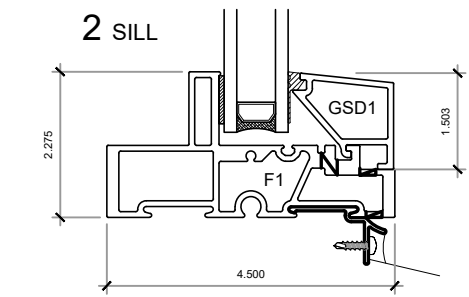
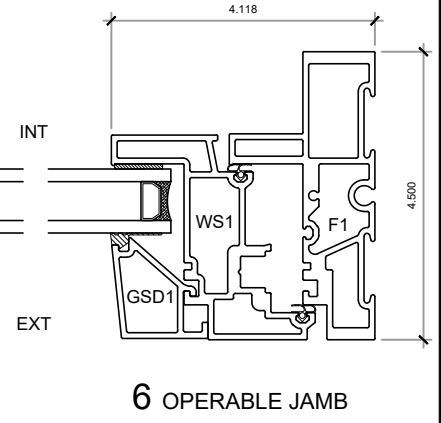
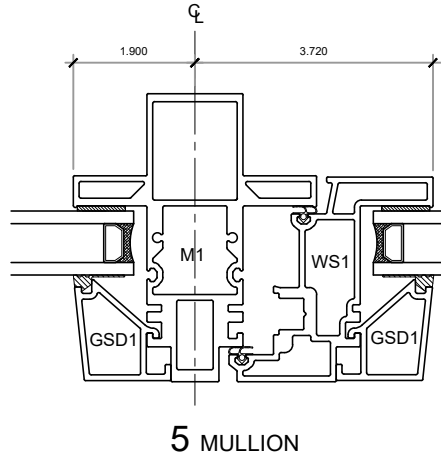
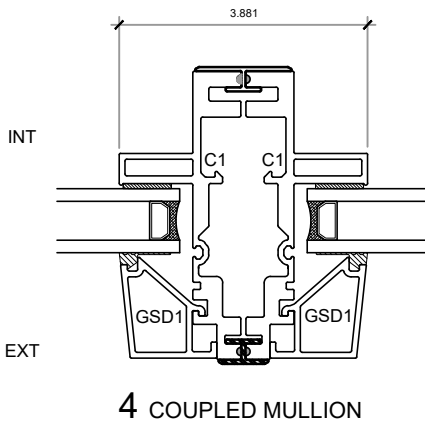
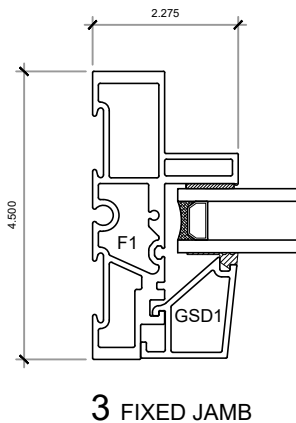
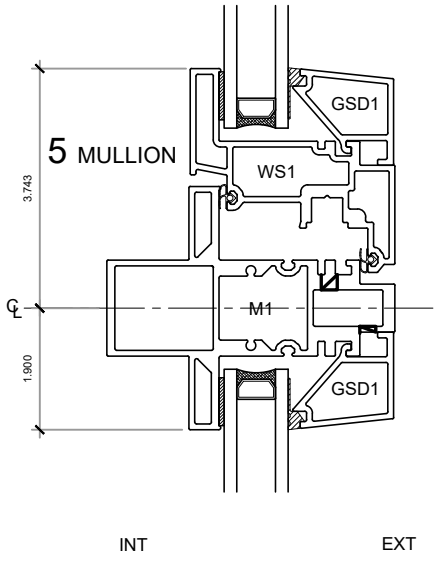
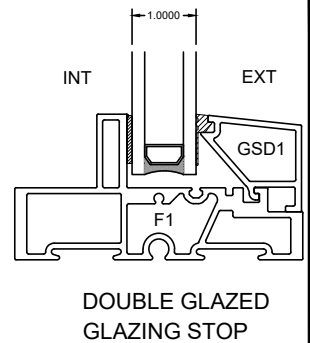
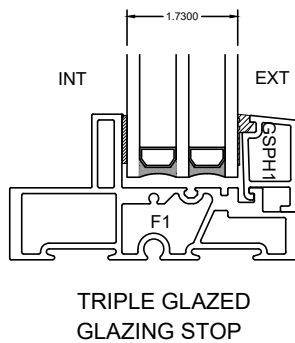
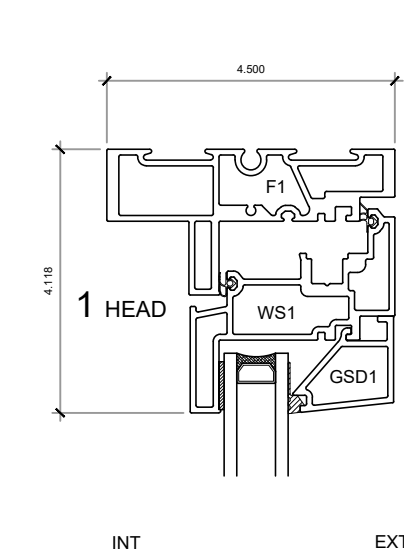
DRAWING NO.:
NF-1.05

SCALE: 6" = 1'-0"

PATENTED

DATE: 26 AUGUST, 2020

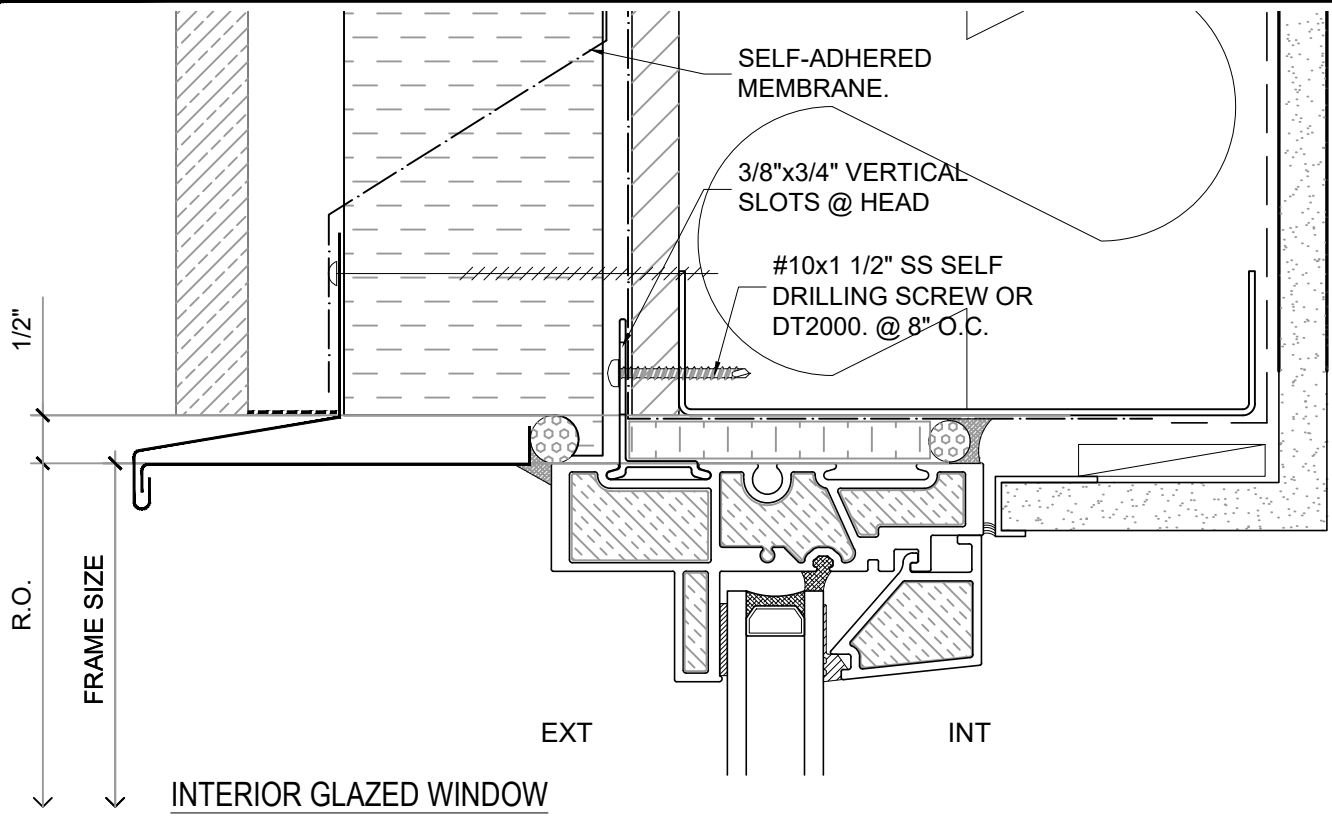
DRAWN BY: CP



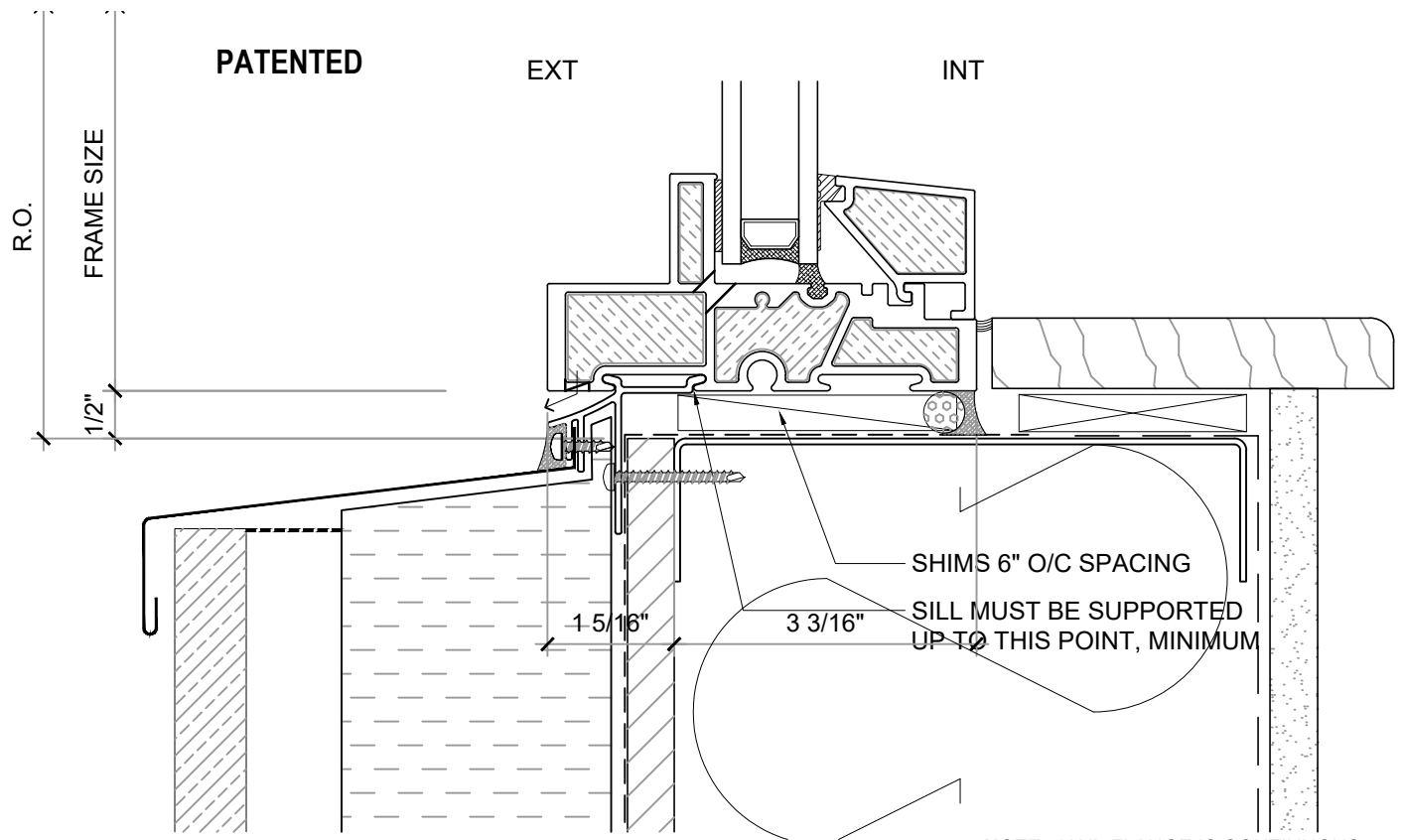
NOTE: THIS DRAFT DETAIL IS FOR GENERAL ARRANGEMENT PURPOSES ONLY, AND DOES NOT NECESSARILY REPRESENT A DETAIL THAT IS APPROPRIATE FOR A SPECIFIC PROJECT. PRODUCTS AND ACCESSORIES PROVIDED BY CASCADIA MUST BE CONFIRMED FOR SPECIFIC PROJECTS.

NOTE: NAIL FLANGE IS CONTINUOUS

CASCADIA WINDOWS LTD. #101-5350 275TH STREET LANGLEY, BC, CANADA V4W 0C1	DRAWING TITLE: UNIVERSAL SERIES ® - OUTSWING WINDOW PRODUCT DRAWINGS		DRAWING NO.: NF-2.01
	SCALE: 4" = 1'-0"	PATENTED	DATE: 26 AUGUST, 2020



INTERIOR GLAZED WINDOW



NOTE: NAIL FLANGE IS CONTINUOUS

NOTE: THIS DRAFT DETAIL IS FOR GENERAL ARRANGEMENT PURPOSES ONLY, AND DOES NOT NECESSARILY REPRESENT A DETAIL THAT IS APPROPRIATE FOR A SPECIFIC PROJECT. PRODUCTS AND ACCESSORIES PROVIDED BY CASCADIA MUST BE CONFIRMED FOR SPECIFIC PROJECTS.

CASCADIA WINDOWS LTD.
 #101-5350 275TH STREET
 LANGLEY, BC, CANADA V4W 0C1

DRAWING TITLE: **UNIVERSAL SERIES [®] - WINDOW HEAD+SILL**
STANDARD NAIL FLANGE INSTALLATION (CW-NF1)

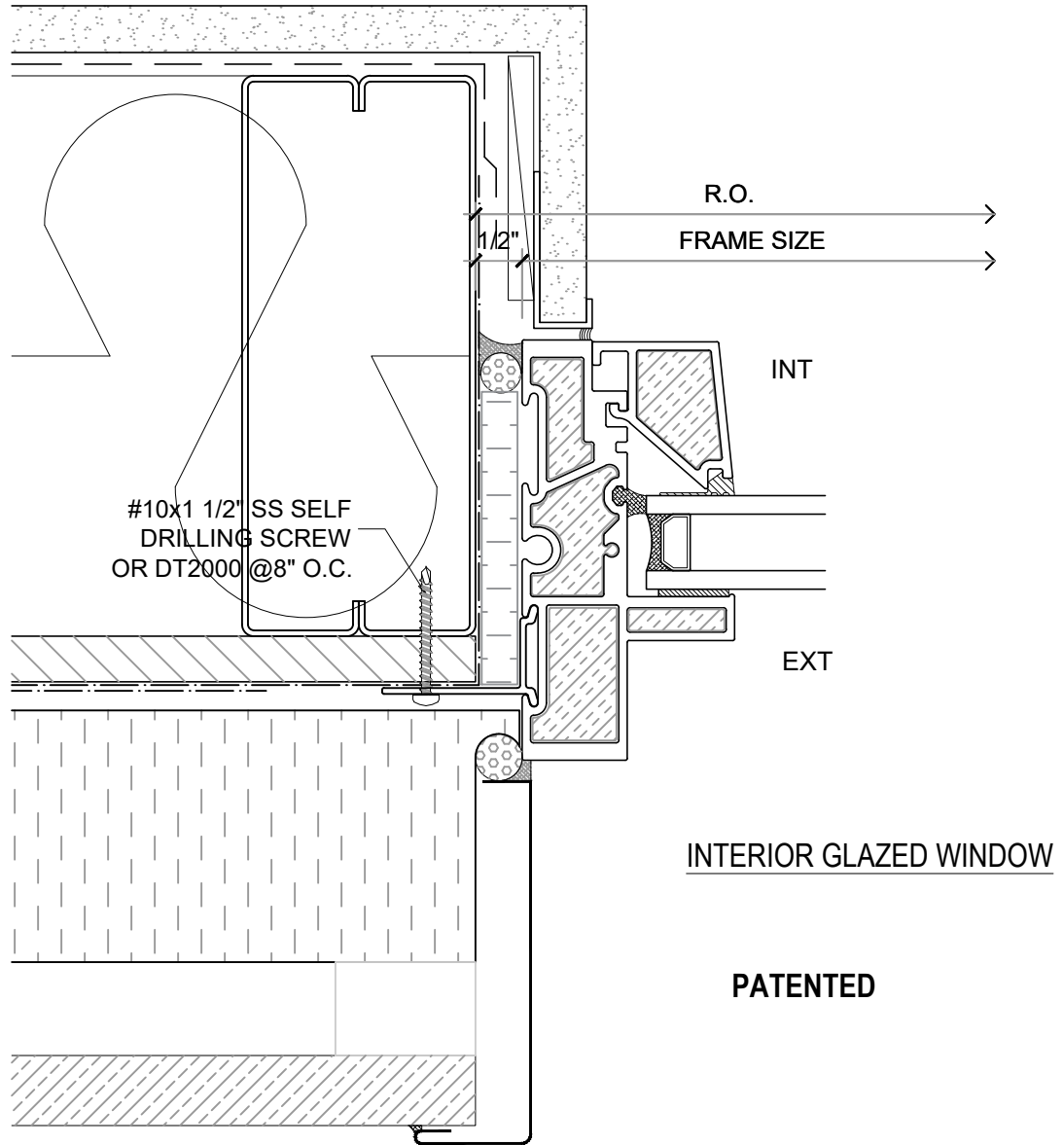
DRAWING NO.: **NF-1.01**

SCALE: 6" = 1'-0"

PATENTED

DATE: 26 AUGUST, 2020

DRAWN BY: CP



NOTE: THIS DRAFT DETAIL IS FOR GENERAL ARRANGEMENT PURPOSES ONLY, AND DOES NOT NECESSARILY REPRESENT A DETAIL THAT IS APPROPRIATE FOR A SPECIFIC PROJECT. PRODUCTS AND ACCESSORIES PROVIDED BY CASCADIA MUST BE CONFIRMED FOR SPECIFIC PROJECTS.

NOTE: NAIL FLANGE IS CONTINUOUS

CASCADIA WINDOWS LTD.
 #101-5350 275TH STREET
 LANGLEY, BC, CANADA V4W 0C1

DRAWING
 TITLE:

UNIVERSAL SERIES [®] - WINDOW JAMB
STANDARD NAIL FLANGE INSTALLATION (CW-NF1)

DRAWING NO.:

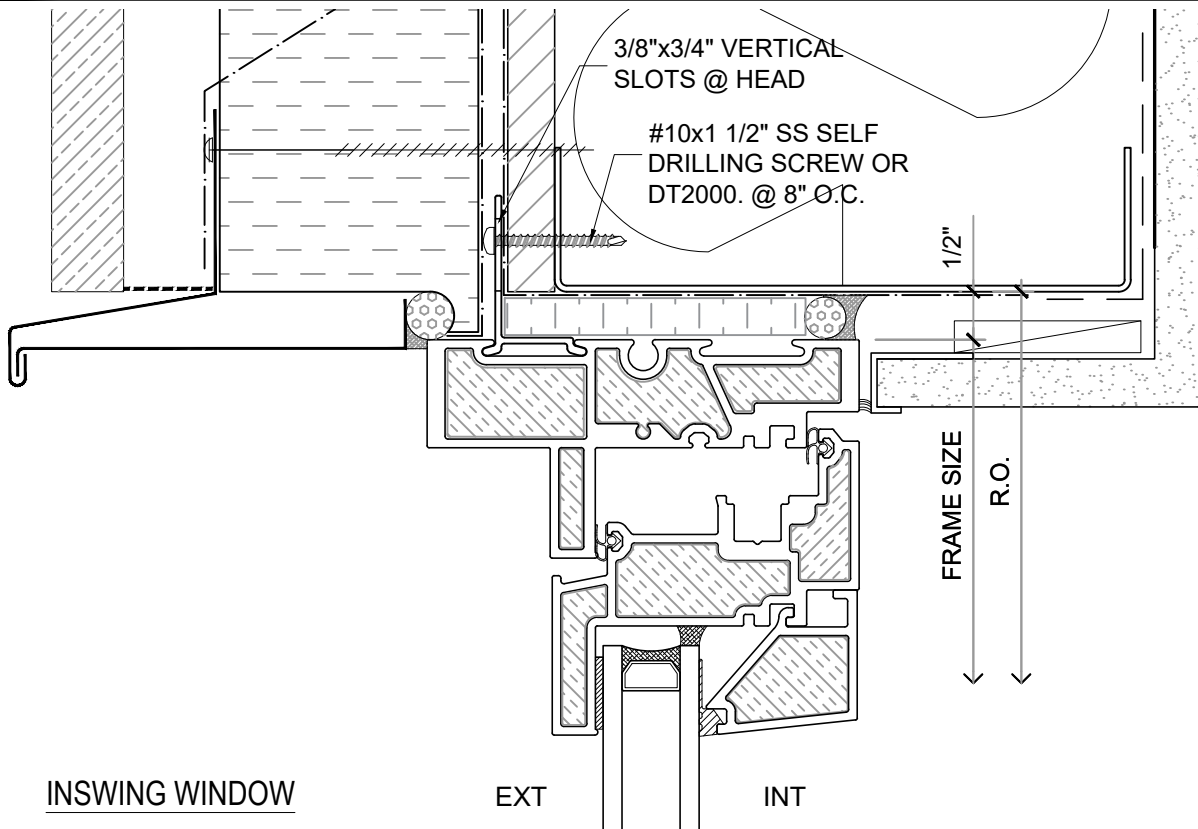
NF-1.02

SCALE: 6" = 1'-0"

PATENTED

DATE: 26 AUGUST, 2020

DRAWN BY: CP



INSWING WINDOW

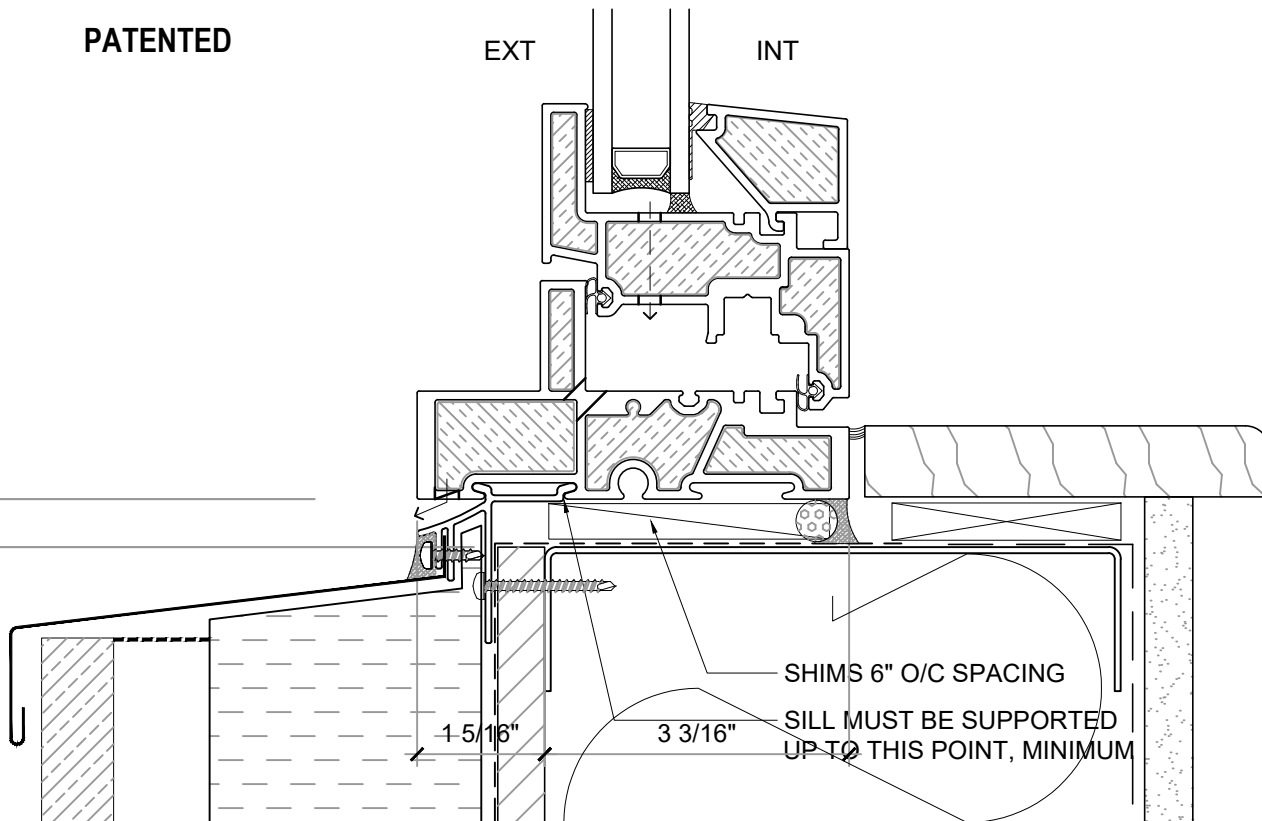
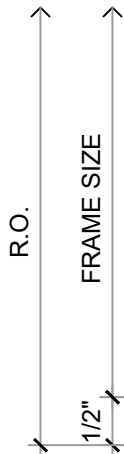
EXT

INT

PATENTED

EXT

INT



NOTE: THIS DRAFT DETAIL IS FOR GENERAL ARRANGEMENT PURPOSES ONLY, AND DOES NOT NECESSARILY REPRESENT A DETAIL THAT IS APPROPRIATE FOR A SPECIFIC PROJECT. PRODUCTS AND ACCESSORIES PROVIDED BY CASCADIA MUST BE CONFIRMED FOR SPECIFIC PROJECTS.

NOTE: NAIL FLANGE IS CONTINUOUS

CASCADIA WINDOWS LTD.
 #101-5350 275TH STREET
 LANGLEY, BC, CANADA V4W 0C1

DRAWING TITLE: **UNIVERSAL SERIES [®] - WINDOW HEAD+SILL**
STANDARD NAIL FLANGE INSTALLATION (CW-NF1)

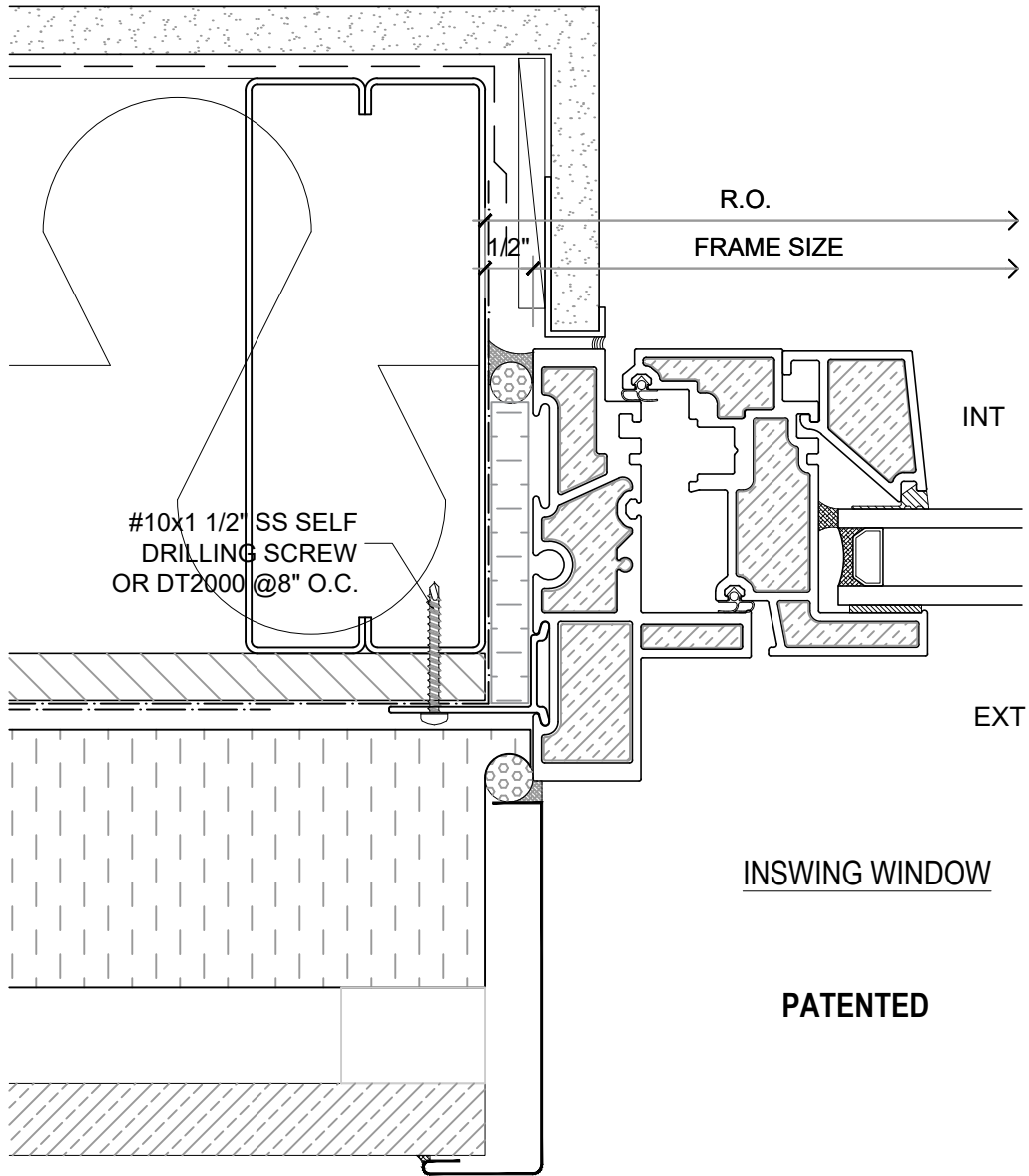
DRAWING NO.:
NF-1.03

SCALE: 6" = 1'-0"

PATENTED

DATE: 26 AUGUST, 2020

DRAWN BY: CP



NOTE: THIS DRAFT DETAIL IS FOR GENERAL ARRANGEMENT PURPOSES ONLY, AND DOES NOT NECESSARILY REPRESENT A DETAIL THAT IS APPROPRIATE FOR A SPECIFIC PROJECT. PRODUCTS AND ACCESSORIES PROVIDED BY CASCADIA MUST BE CONFIRMED FOR SPECIFIC PROJECTS.

NOTE: NAIL FLANGE IS CONTINUOUS

CASCADIA WINDOWS LTD.
#101-5350 275TH STREET
LANGLEY, BC, CANADA V4W 0C1

DRAWING
TITLE:

UNIVERSAL SERIES © - WINDOW JAMB
STANDARD NAIL FLANGE INSTALLATION (CW-NF1)

DRAWING NO.:

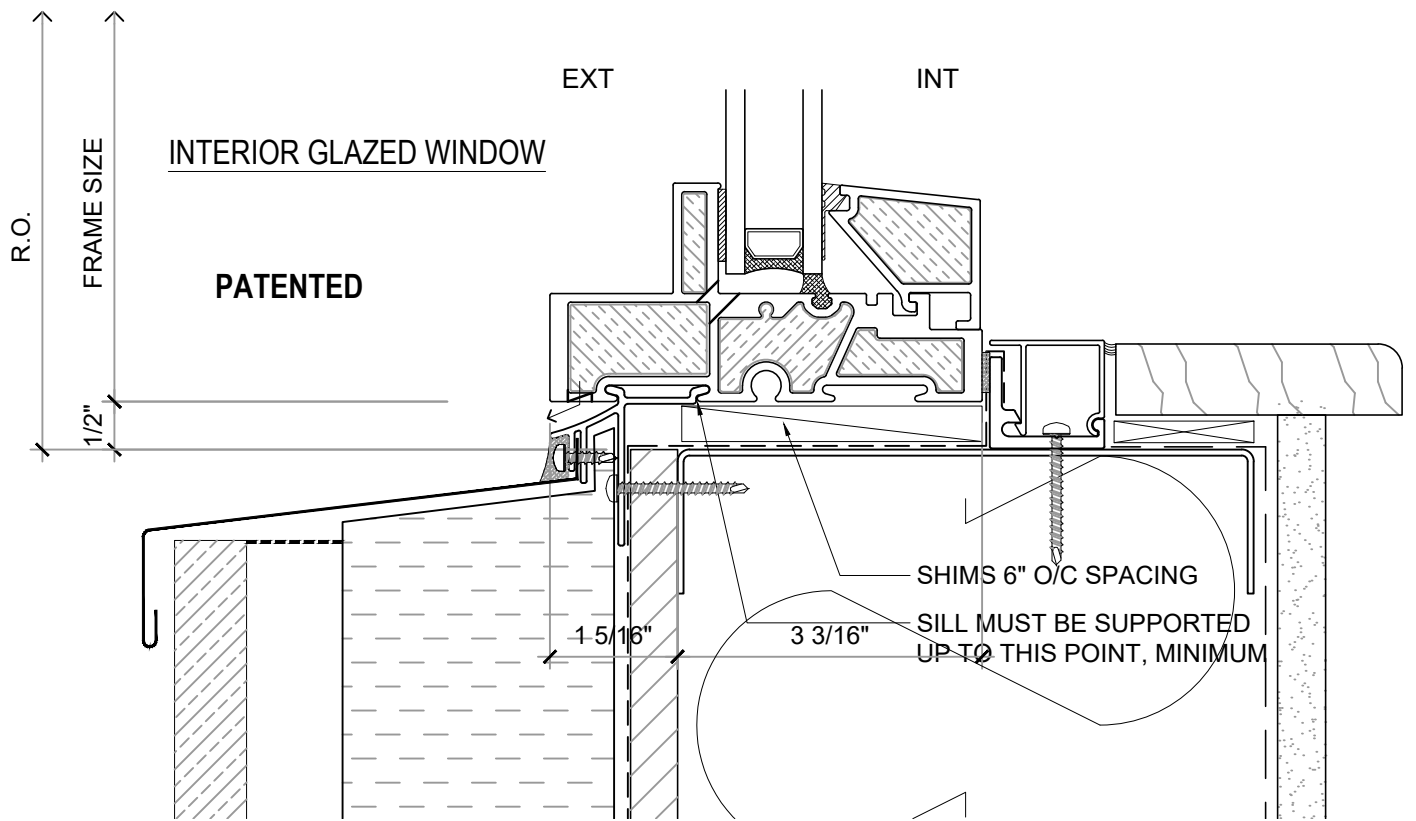
NF-1.04

SCALE: 6" = 1'-0"

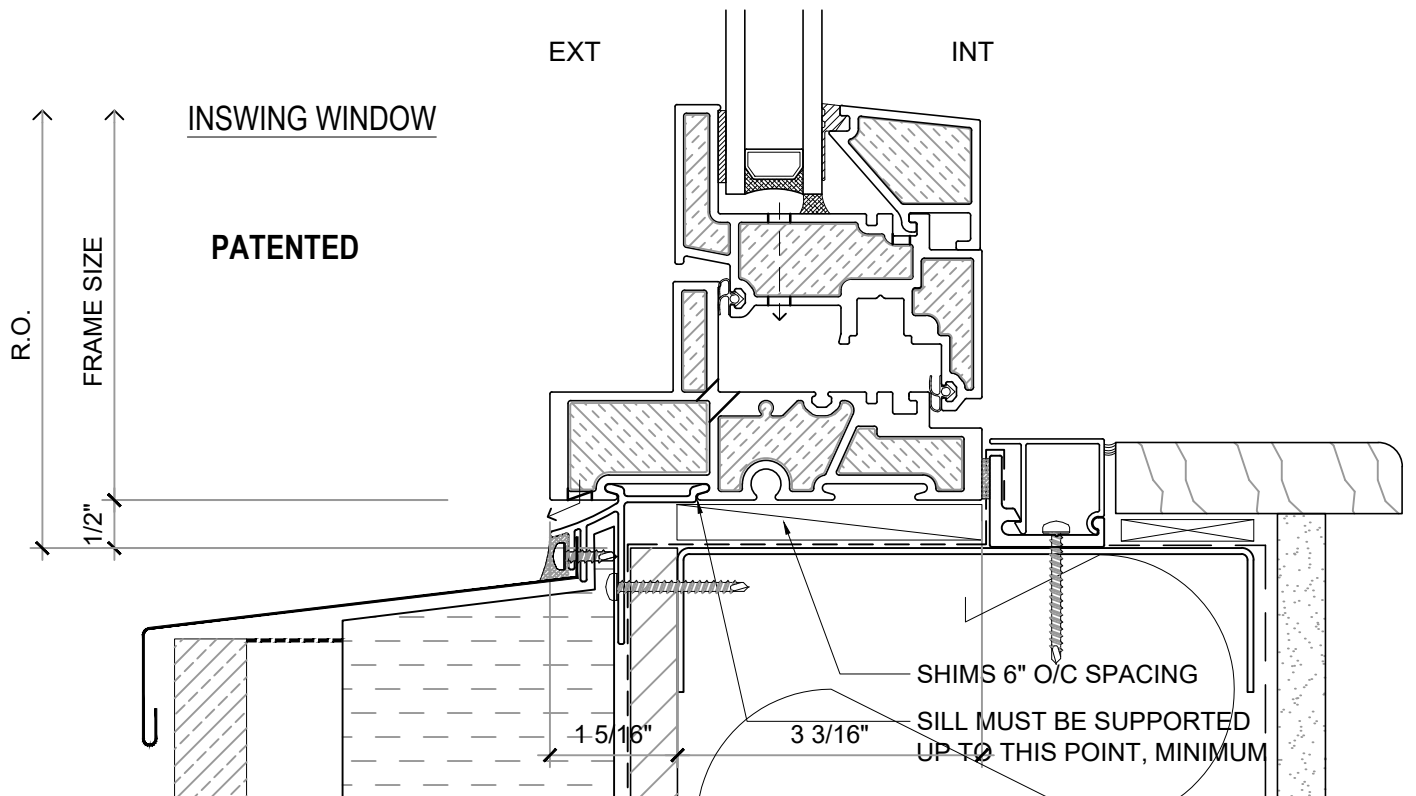
PATENTED

DATE: 26 AUGUST, 2020

DRAWN BY: CP



ALTERNATE SILL DETAILS



NOTE: THIS DRAFT DETAIL IS FOR GENERAL ARRANGEMENT PURPOSES ONLY, AND DOES NOT NECESSARILY REPRESENT A DETAIL THAT IS APPROPRIATE FOR A SPECIFIC PROJECT. PRODUCTS AND ACCESSORIES PROVIDED BY CASCADIA MUST BE CONFIRMED FOR SPECIFIC PROJECTS.

NOTE: NAIL FLANGE IS CONTINUOUS

CASCADIA WINDOWS LTD.
 #101-5350 275TH STREET
 LANGLEY, BC, CANADA V4W 0C1

DRAWING TITLE: **UNIVERSAL SERIES [®] - WINDOW SILLS**
 STANDARD NAIL FLANGE INSTALLATION (CW-NF2) & SILL ANGLE

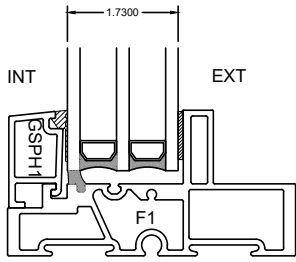
DRAWING NO.: **NF-1.05**

SCALE: 6" = 1'-0"

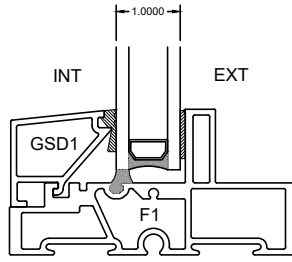
PATENTED

DATE: 26 AUGUST, 2020

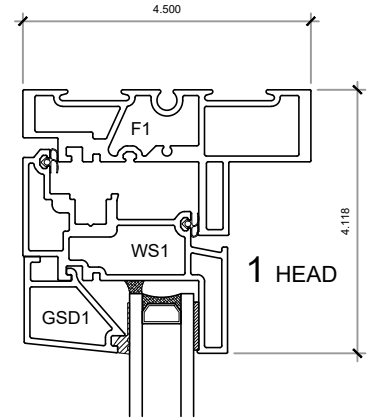
DRAWN BY: CP



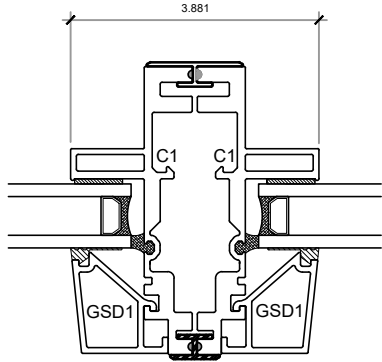
TRIPLE GLAZED
GLAZING STOP



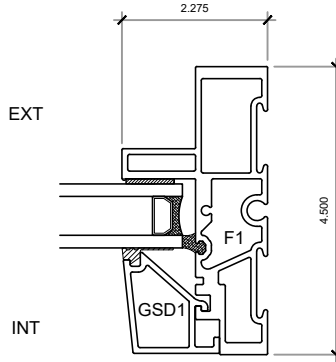
DOUBLE GLAZED
GLAZING STOP



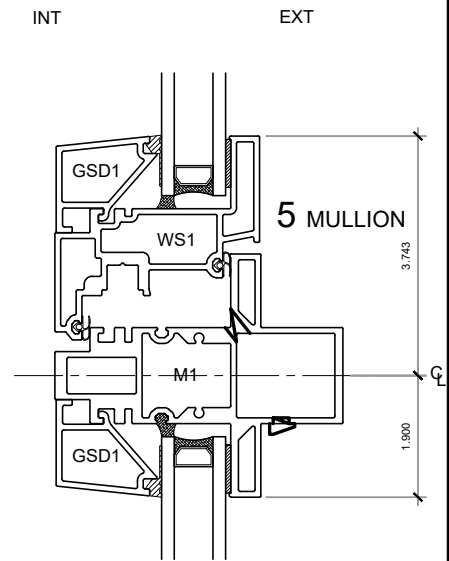
1 HEAD



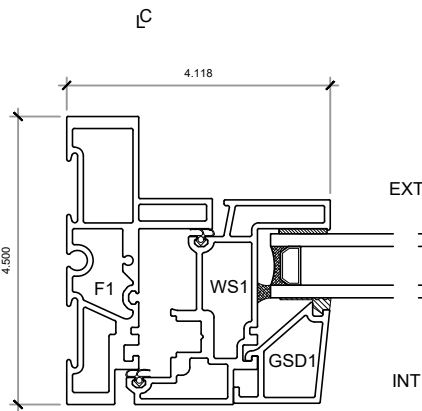
4 COUPLED MULLION



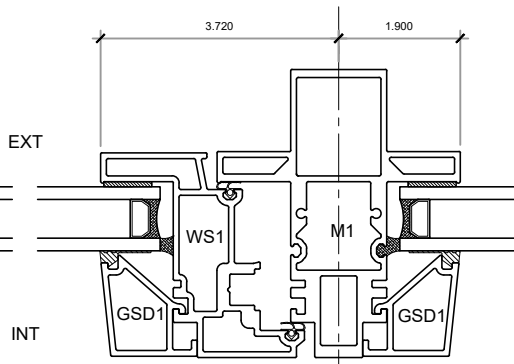
3 FIXED JAMB



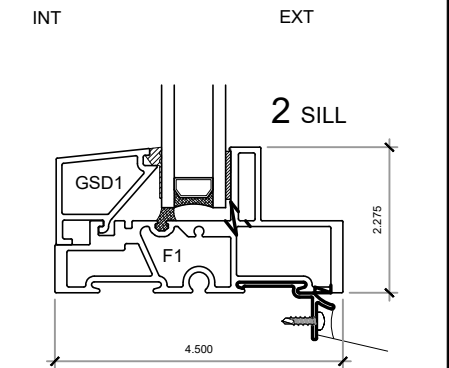
5 MULLION



6 OPERABLE JAMB



5 MULLION



2 SILL

NOTE: THIS DRAFT DETAIL IS FOR GENERAL ARRANGEMENT PURPOSES ONLY, AND DOES NOT NECESSARILY REPRESENT A DETAIL THAT IS APPROPRIATE FOR A SPECIFIC PROJECT. PRODUCTS AND ACCESSORIES PROVIDED BY CASCADIA MUST BE CONFIRMED FOR SPECIFIC PROJECTS.

NOTE: NAIL FLANGE IS CONTINUOUS

CASCADIA WINDOWS LTD.
#101-5350 275TH STREET
LANGLEY, BC, CANADA V4W 0C1

DRAWING TITLE: **UNIVERSAL SERIES ® - INSWING WINDOW**
PRODUCT DRAWINGS

DRAWING NO.:
NF-2.01

SCALE: 4" = 1'-0"

PATENTED

DATE: 26 AUGUST, 2020

DRAWN BY: CP