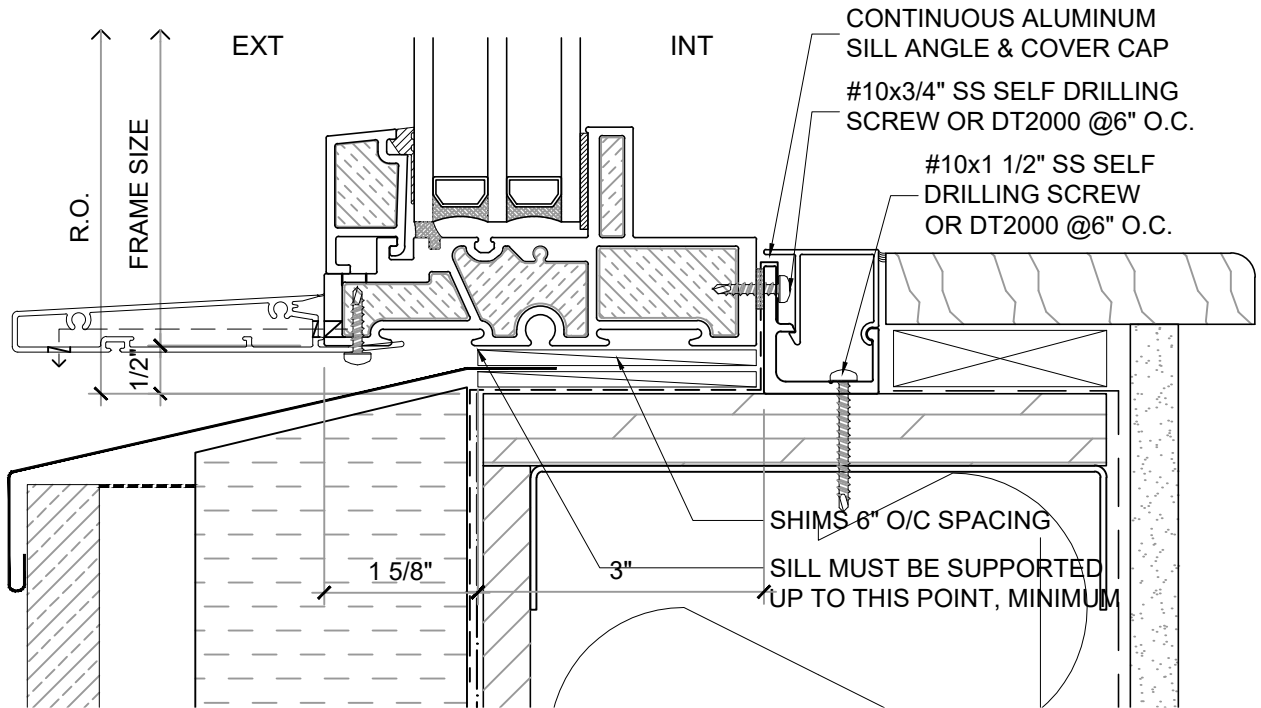


EXTERIOR GLAZED WINDOW



NOTE: THIS DRAFT DETAIL IS FOR GENERAL ARRANGEMENT PURPOSES ONLY, AND DOES NOT NECESSARILY REPRESENT A DETAIL THAT IS APPROPRIATE FOR A SPECIFIC PROJECT. PRODUCTS AND ACCESSORIES PROVIDED BY CASCADIA MUST BE CONFIRMED FOR SPECIFIC PROJECTS.

NOTE: ANCHOR CLIPS AT HEAD AND JAMBS ARE INTERMITTENT

CASCADIA WINDOWS LTD.
 #101-5350 275TH STREET
 LANGLEY, BC, CANADA V4W 0C1

DRAWING TITLE: **UNIVERSAL SERIES - 3 1/4" J.E. HEAD & SILL**
RAINSCREEN WALL ASSEMBLY, EXT. INSULATION, JAMB EXTENSIONS

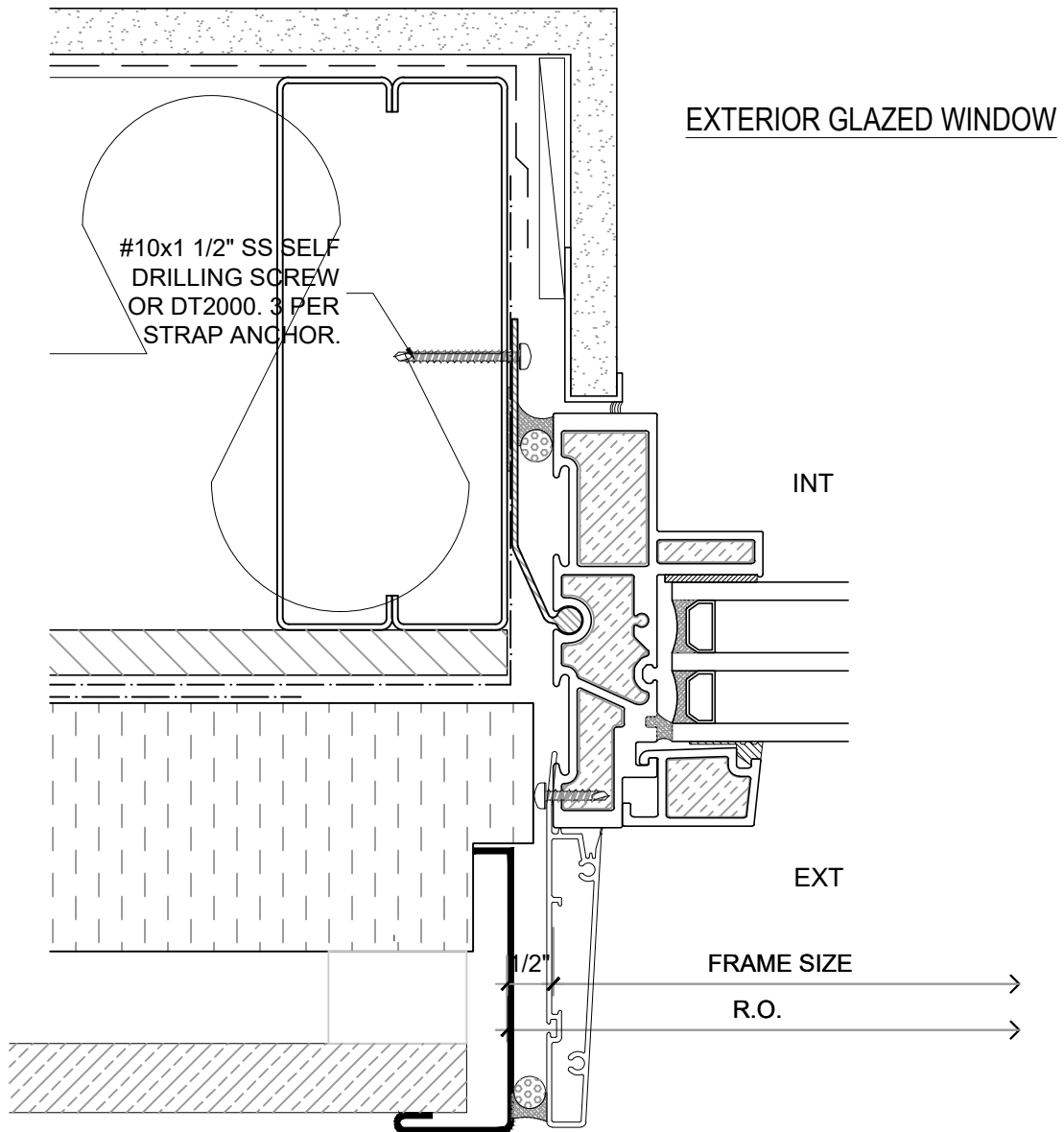
DRAWING NO.:
W-JE1.01

SCALE: 6" = 1'-0"

PATENTED

DATE: 11 JANUARY 2019

DRAWN BY: CP



EXTERIOR GLAZED WINDOW

#10x1 1/2" SS SELF
DRILLING SCREW
OR DT2000. 3 PER
STRAP ANCHOR.

INT

EXT

FRAME SIZE

R.O.

PATENTED

NOTE: THIS DRAFT DETAIL IS FOR GENERAL ARRANGEMENT PURPOSES ONLY, AND DOES NOT NECESSARILY REPRESENT A DETAIL THAT IS APPROPRIATE FOR A SPECIFIC PROJECT. PRODUCTS AND ACCESSORIES PROVIDED BY CASCADIA MUST BE CONFIRMED FOR SPECIFIC PROJECTS.

NOTE: ANCHOR CLIPS AT HEAD AND JAMBS ARE INTERMITTENT

CASCADIA WINDOWS LTD.
#101-5350 275TH STREET
LANGLEY, BC, CANADA V4W 0C1

DRAWING TITLE: UNIVERSAL SERIES - 3 1/4" J.E. JAMB
RAINSCREEN WALL ASSEMBLY, EXT. INSULATION, JAMB EXTENSIONS

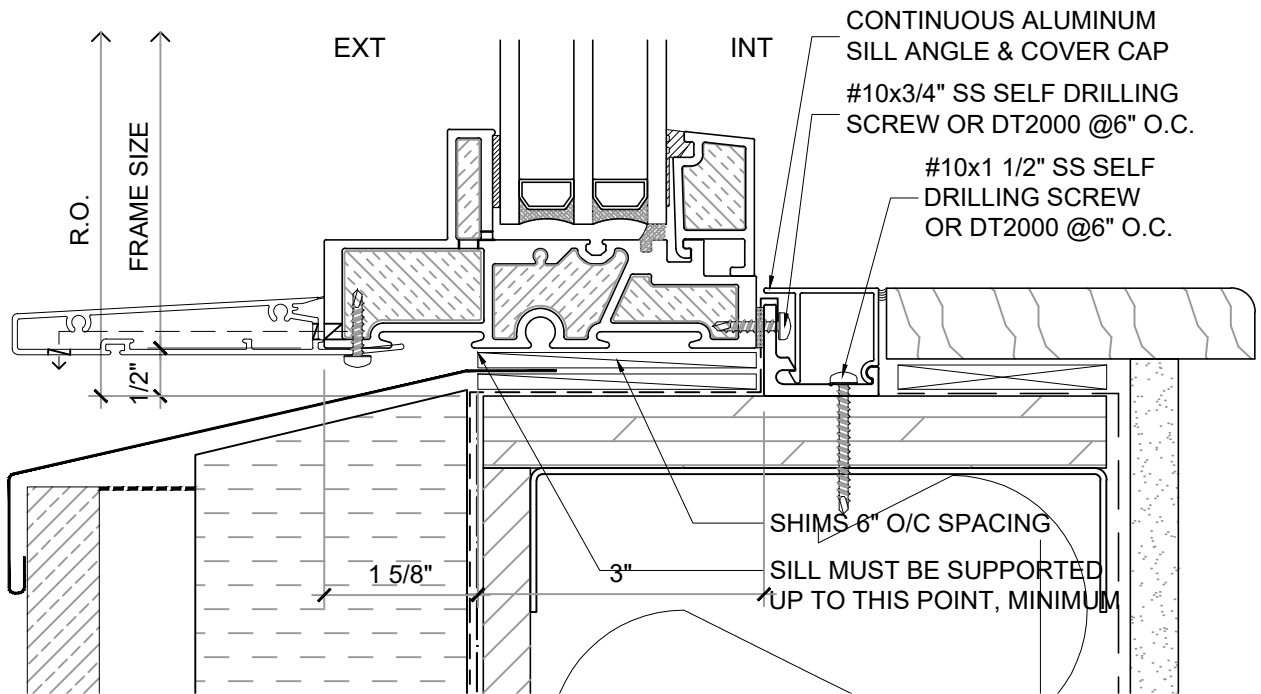
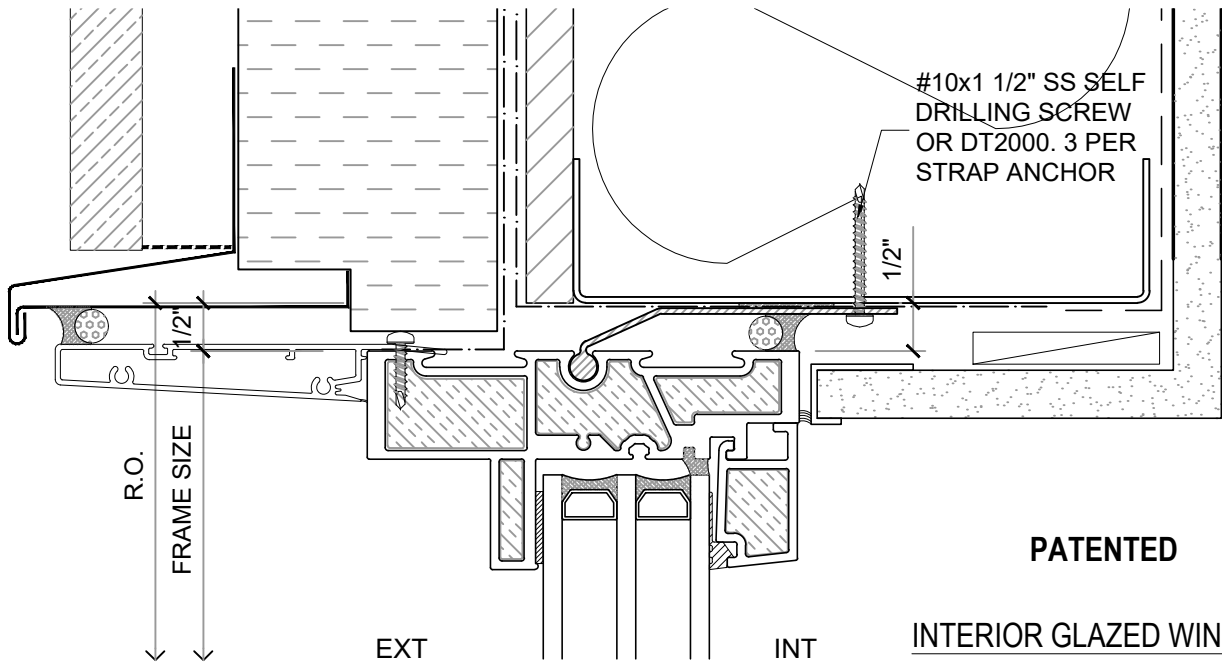
DRAWING NO.:
W-JE1.02

SCALE: 6" = 1'-0"

PATENTED

DATE: 11 JANUARY 2019

DRAWN BY: CP



NOTE: THIS DRAFT DETAIL IS FOR GENERAL ARRANGEMENT PURPOSES ONLY, AND DOES NOT NECESSARILY REPRESENT A DETAIL THAT IS APPROPRIATE FOR A SPECIFIC PROJECT. PRODUCTS AND ACCESSORIES PROVIDED BY CASCADIA MUST BE CONFIRMED FOR SPECIFIC PROJECTS.

NOTE: ANCHOR CLIPS AT HEAD AND JAMBS ARE INTERMITTENT

CASCADIA WINDOWS LTD.
#101-5350 275TH STREET
LANGLEY, BC, CANADA V4W 0C1

DRAWING TITLE: UNIVERSAL SERIES - 3 1/4" J.E. HEAD & SILL
RAINSCREEN WALL ASSEMBLY, EXT. INSULATION, JAMB EXTENSIONS

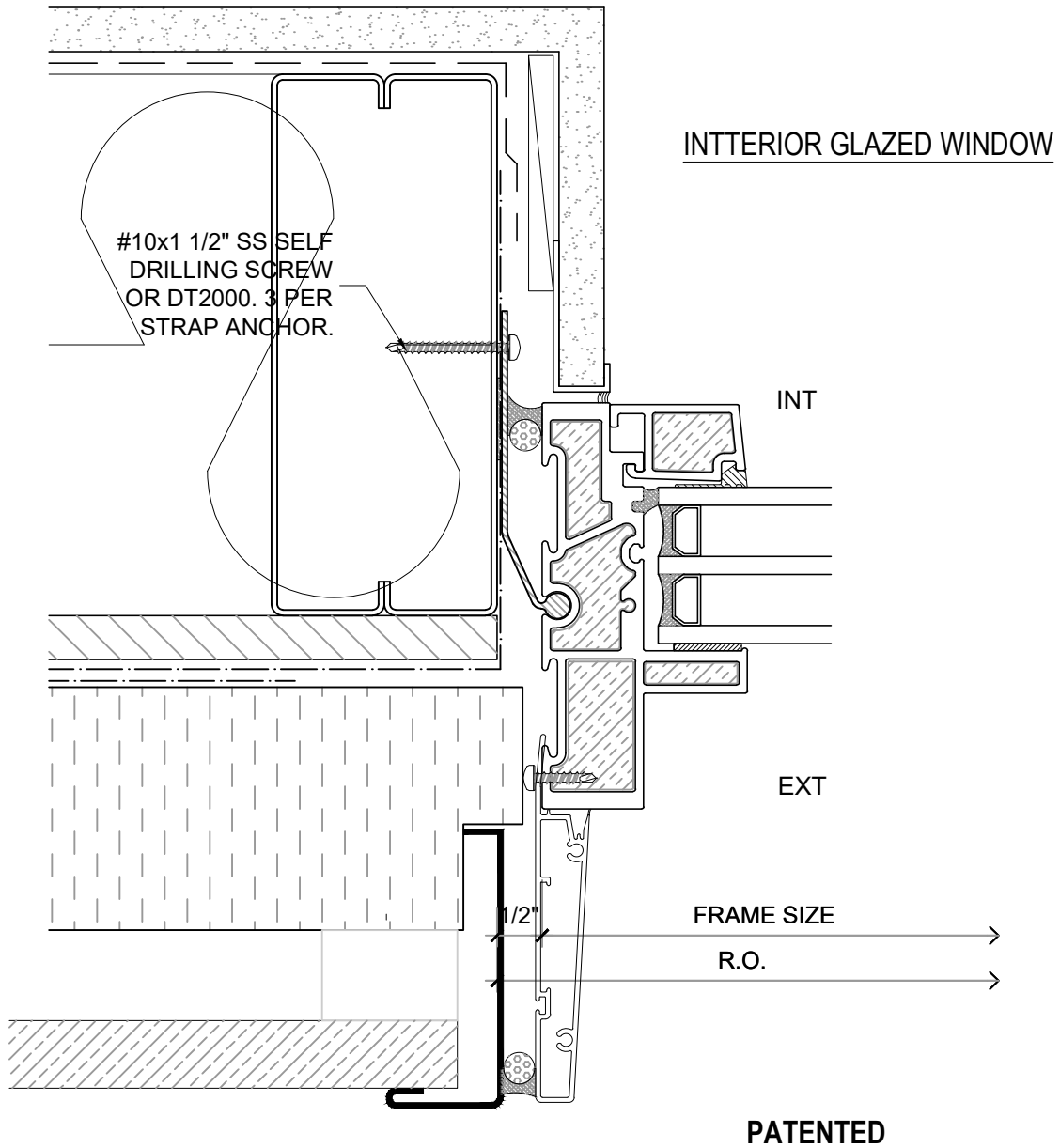
DRAWING NO.:
W-JE1.03

SCALE: 6" = 1'-0"

PATENTED

DATE: 11 JANUARY 2019

DRAWN BY: CP



NOTE: THIS DRAFT DETAIL IS FOR GENERAL ARRANGEMENT PURPOSES ONLY, AND DOES NOT NECESSARILY REPRESENT A DETAIL THAT IS APPROPRIATE FOR A SPECIFIC PROJECT. PRODUCTS AND ACCESSORIES PROVIDED BY CASCADIA MUST BE CONFIRMED FOR SPECIFIC PROJECTS.

NOTE: ANCHOR CLIPS AT HEAD AND JAMBS ARE INTERMITTENT

CASCADIA WINDOWS LTD.
 #101-5350 275TH STREET
 LANGLEY, BC, CANADA V4W 0C1

DRAWING TITLE: **UNIVERSAL SERIES - 3 1/4" J.E. JAMB**
RAINSCREEN WALL ASSEMBLY, EXT. INSULATION, JAMB EXTENSIONS

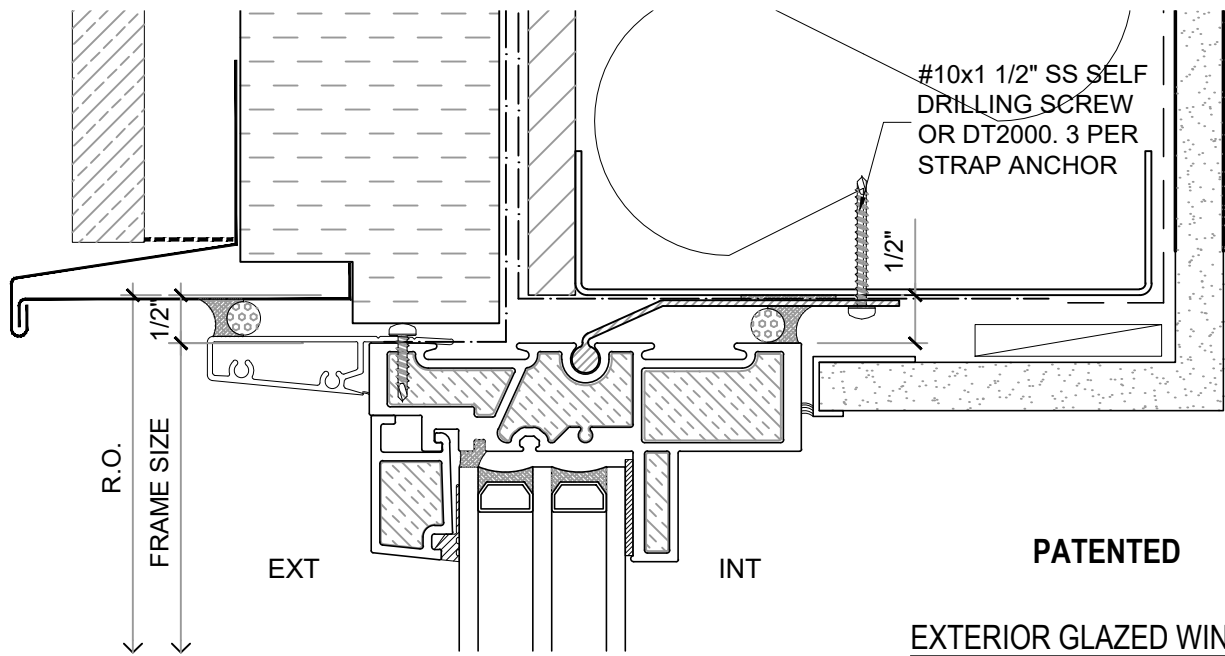
DRAWING NO.:
W-JE1.04

SCALE: 6" = 1'-0"

PATENTED

DATE: 11 JANUARY 2019

DRAWN BY: CP

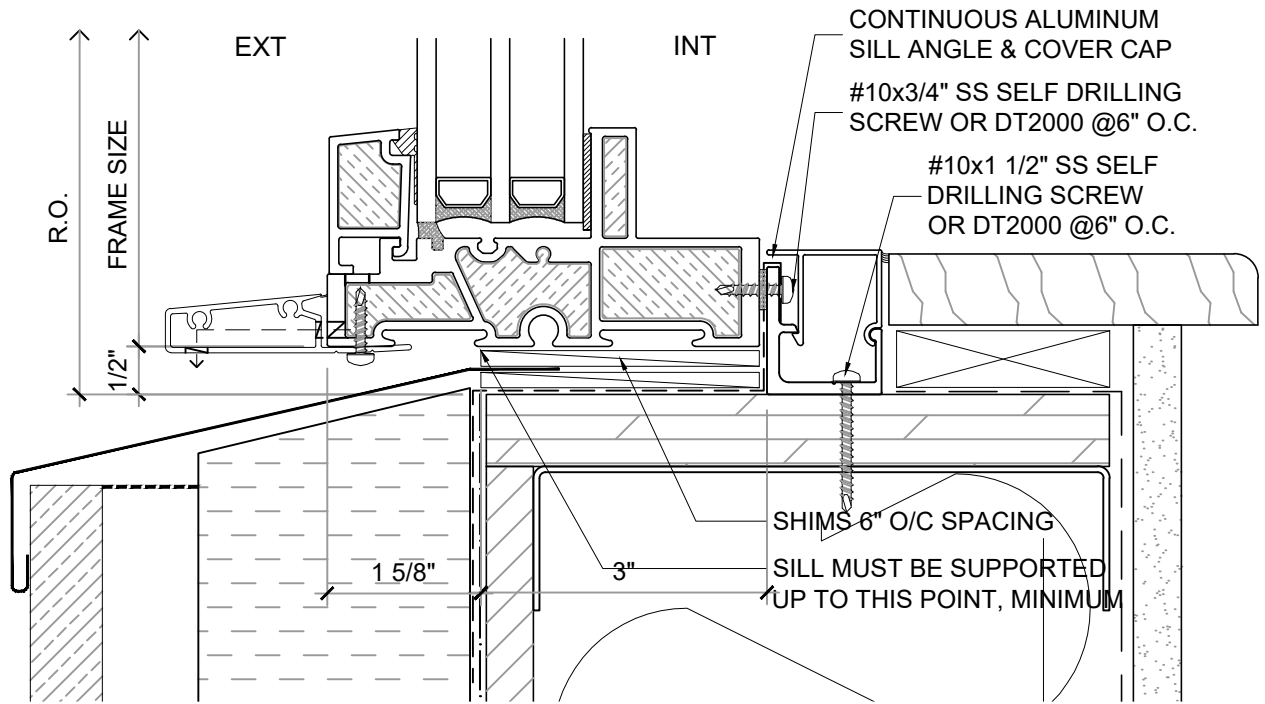


#10x1 1/2" SS SELF DRILLING SCREW OR DT2000. 3 PER STRAP ANCHOR

1/2"

PATENTED

EXTERIOR GLAZED WINDOW



CONTINUOUS ALUMINUM SILL ANGLE & COVER CAP

#10x3/4" SS SELF DRILLING SCREW OR DT2000 @6" O.C.

#10x1 1/2" SS SELF DRILLING SCREW OR DT2000 @6" O.C.

SHIMS 6" O/C SPACING

SILL MUST BE SUPPORTED UP TO THIS POINT, MINIMUM

1 5/8"

3"

NOTE: THIS DRAFT DETAIL IS FOR GENERAL ARRANGEMENT PURPOSES ONLY, AND DOES NOT NECESSARILY REPRESENT A DETAIL THAT IS APPROPRIATE FOR A SPECIFIC PROJECT. PRODUCTS AND ACCESSORIES PROVIDED BY CASCADIA MUST BE CONFIRMED FOR SPECIFIC PROJECTS.

NOTE: ANCHOR CLIPS AT HEAD AND JAMBS ARE INTERMITTENT

CASCADIA WINDOWS LTD.
 #101-5350 275TH STREET
 LANGLEY, BC, CANADA V4W 0C1

DRAWING TITLE: **UNIVERSAL SERIES - 1 5/8" J.E. HEAD & SILL**
RAINSCREEN WALL ASSEMBLY, EXT. INSULATION, JAMB EXTENSIONS

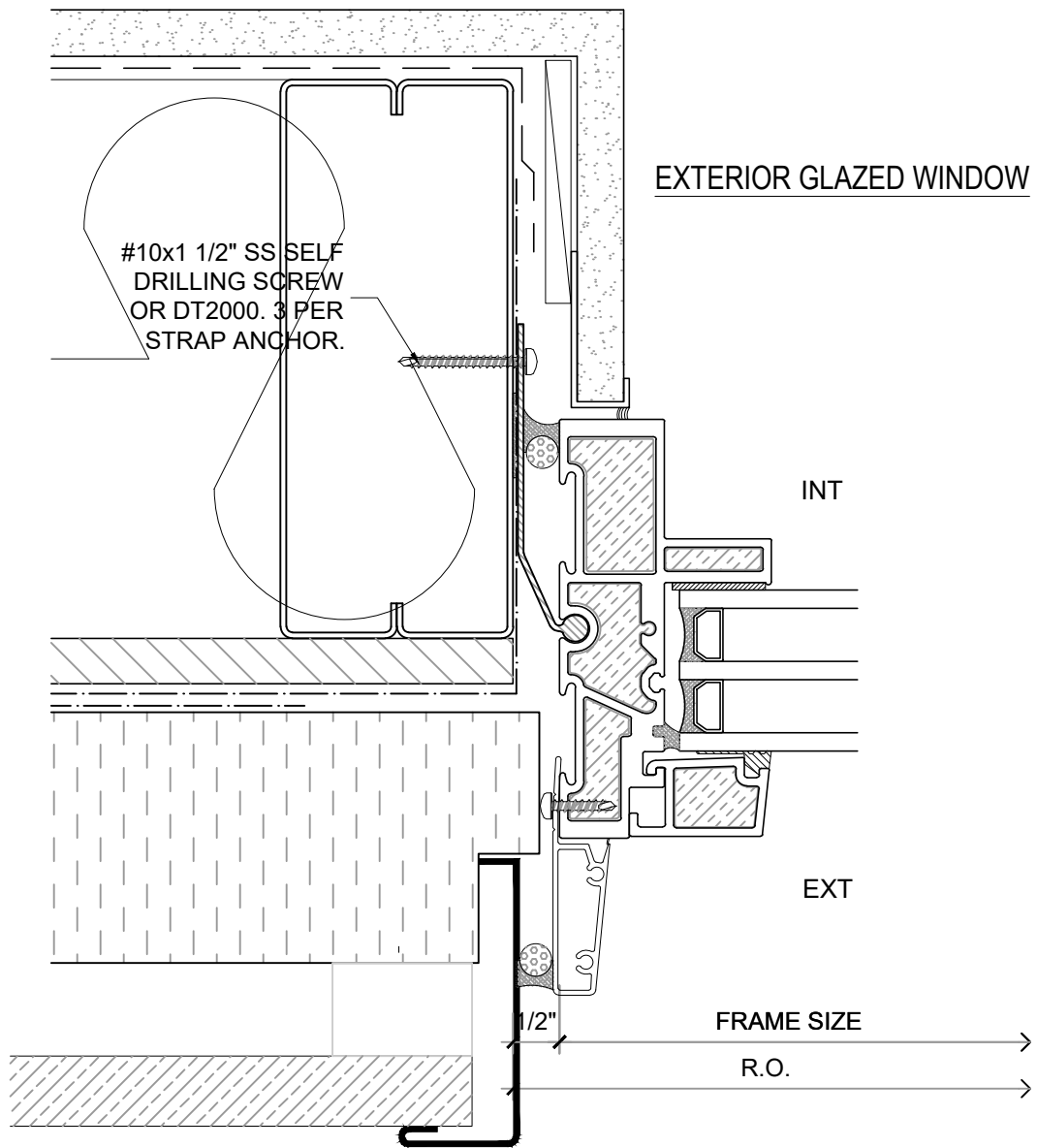
DRAWING NO.: **W-JE1.05**

SCALE: 6" = 1'-0"

PATENTED

DATE: 11 JANUARY 2019

DRAWN BY: CP



NOTE: THIS DRAFT DETAIL IS FOR GENERAL ARRANGEMENT PURPOSES ONLY, AND DOES NOT NECESSARILY REPRESENT A DETAIL THAT IS APPROPRIATE FOR A SPECIFIC PROJECT. PRODUCTS AND ACCESSORIES PROVIDED BY CASCADIA MUST BE CONFIRMED FOR SPECIFIC PROJECTS.

NOTE: ANCHOR CLIPS AT HEAD AND JAMBS ARE INTERMITTENT

CASCADIA WINDOWS LTD.
 #101-5350 275TH STREET
 LANGLEY, BC, CANADA V4W 0C1

DRAWING TITLE: UNIVERSAL SERIES - 1 5/8" J.E. JAMB
 RAINSCREEN WALL ASSEMBLY, EXT. INSULATION, JAMB EXTENSIONS

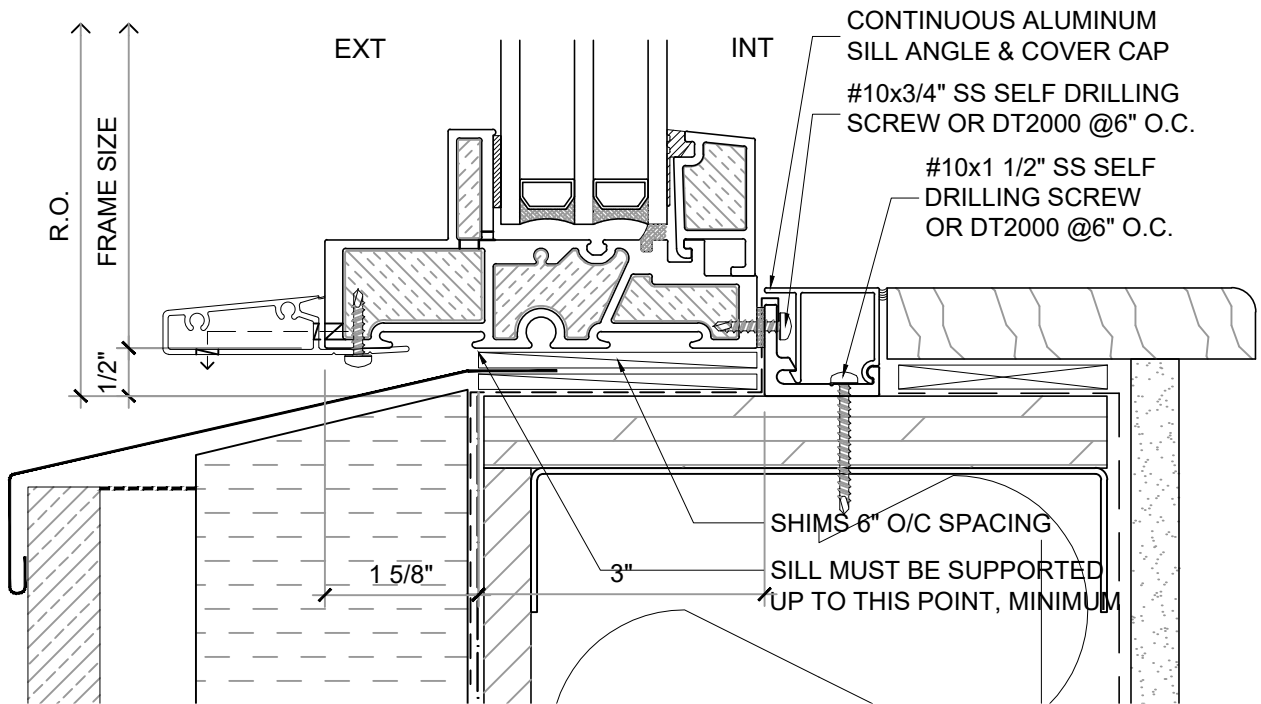
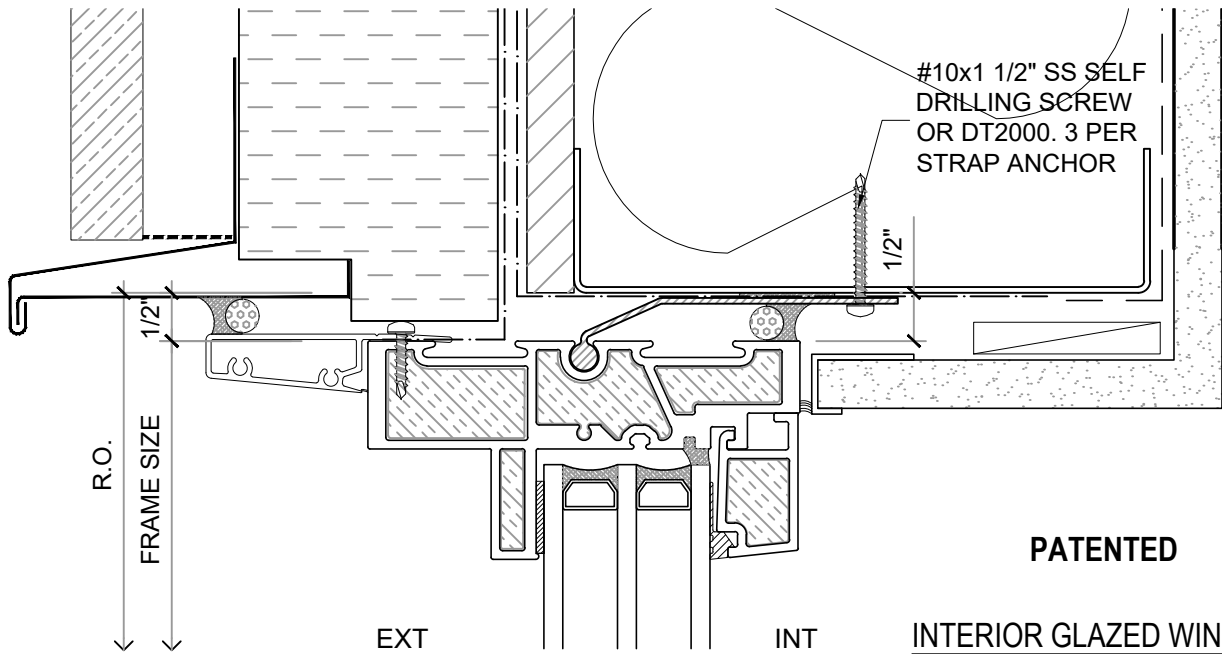
DRAWING NO.:
 W-JE1.06

SCALE: 6" = 1'-0"

PATENTED

DATE: 11 JANUARY 2019

DRAWN BY: CP



NOTE: THIS DRAFT DETAIL IS FOR GENERAL ARRANGEMENT PURPOSES ONLY, AND DOES NOT NECESSARILY REPRESENT A DETAIL THAT IS APPROPRIATE FOR A SPECIFIC PROJECT. PRODUCTS AND ACCESSORIES PROVIDED BY CASCADIA MUST BE CONFIRMED FOR SPECIFIC PROJECTS.

NOTE: ANCHOR CLIPS AT HEAD AND JAMBS ARE INTERMITTENT

CASCADIA WINDOWS LTD.
#101-5350 275TH STREET
LANGLEY, BC, CANADA V4W 0C1

DRAWING TITLE: UNIVERSAL SERIES - 1 5/8" J.E. HEAD & SILL
RAINSCREEN WALL ASSEMBLY, EXT. INSULATION, JAMB EXTENSIONS

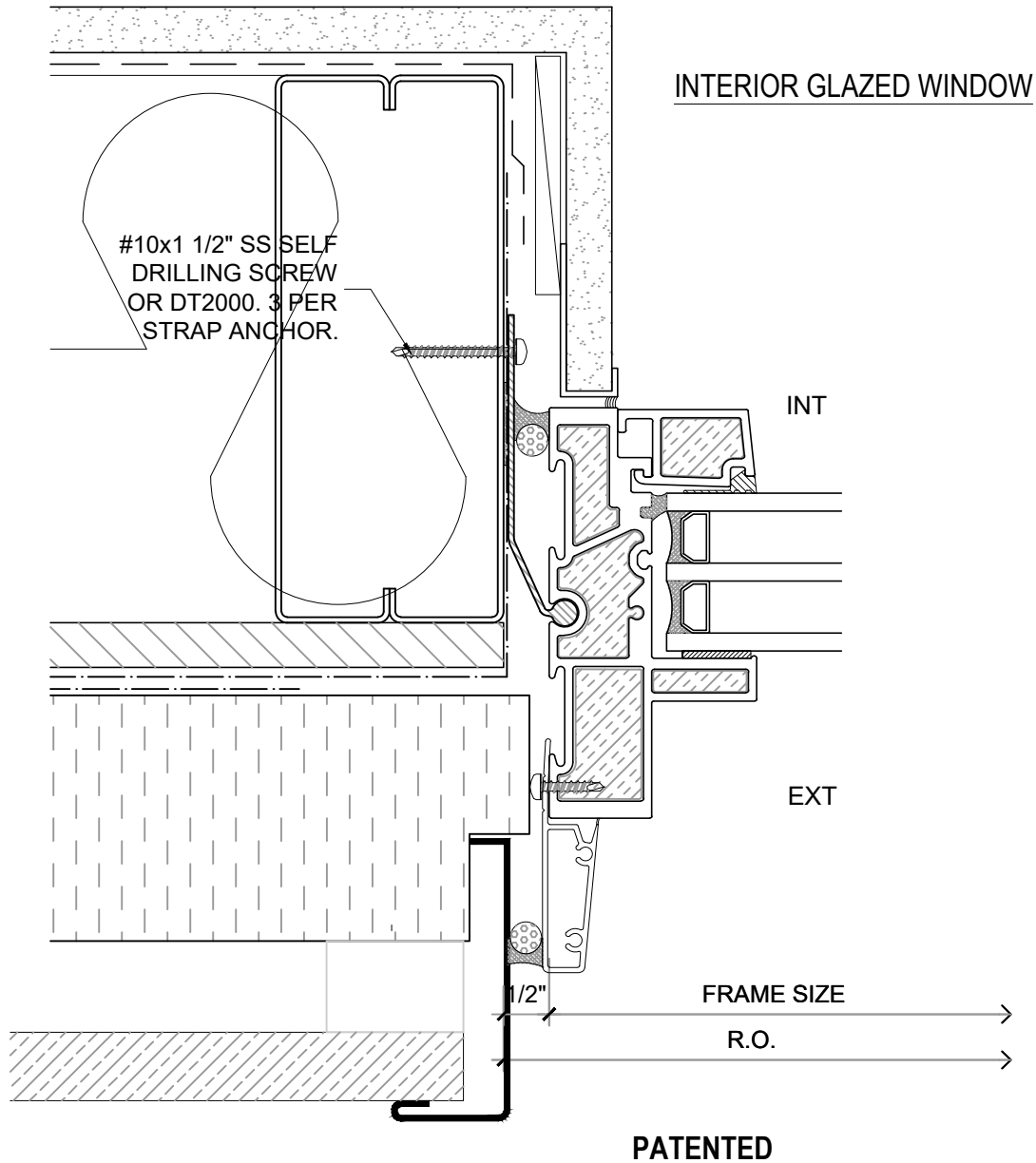
DRAWING NO.:
W-JE1.07

SCALE: 6" = 1'-0"

PATENTED

DATE: 11 JANUARY 2019

DRAWN BY: CP



NOTE: THIS DRAFT DETAIL IS FOR GENERAL ARRANGEMENT PURPOSES ONLY, AND DOES NOT NECESSARILY REPRESENT A DETAIL THAT IS APPROPRIATE FOR A SPECIFIC PROJECT. PRODUCTS AND ACCESSORIES PROVIDED BY CASCADIA MUST BE CONFIRMED FOR SPECIFIC PROJECTS.

NOTE: ANCHOR CLIPS AT HEAD AND JAMBS ARE INTERMITTENT

CASCADIA WINDOWS LTD.
 #101-5350 275TH STREET
 LANGLEY, BC, CANADA V4W 0C1

DRAWING TITLE: UNIVERSAL SERIES - 1 5/8" J.E. JAMB
 RAINSCREEN WALL ASSEMBLY, EXT. INSULATION, JAMB EXTENSIONS

DRAWING NO.:
 W-JE1.08

SCALE: 6" = 1'-0"

PATENTED

DATE: 11 JANUARY 2019

DRAWN BY: CP