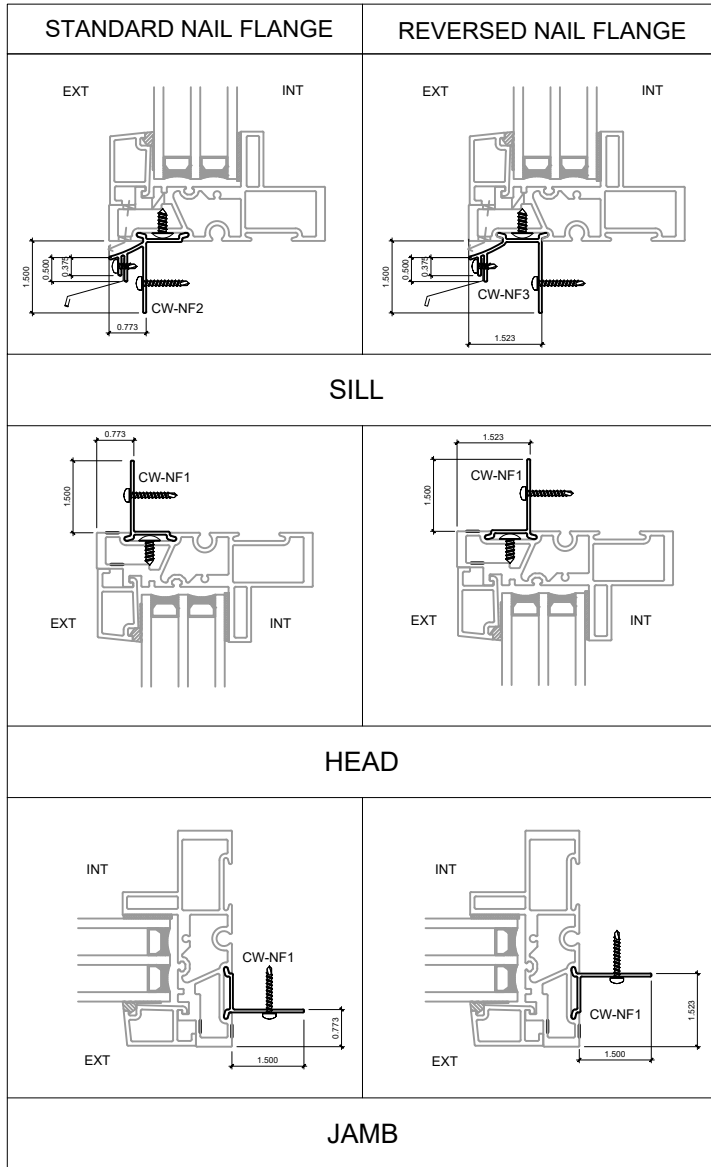
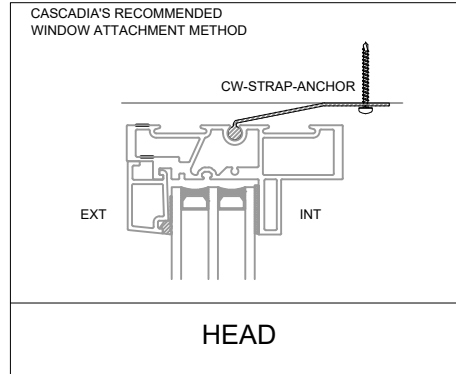


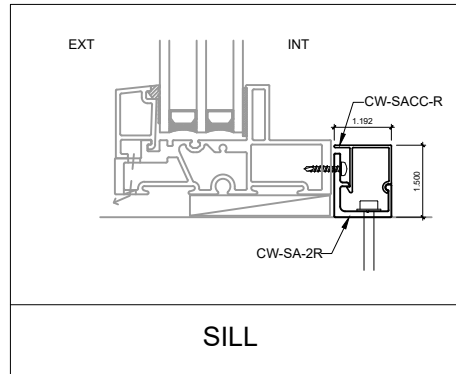
# NAIL FLANGE



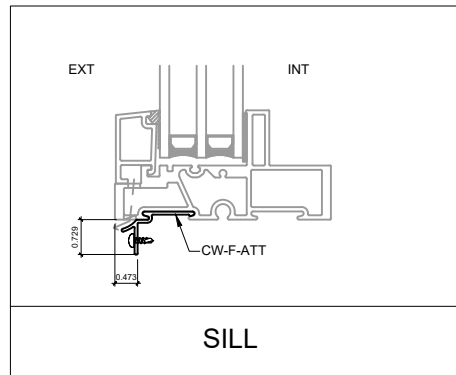
# STRAP ANCHOR



# SILL ANGLE AND COVER CAP



# FLASHING ATTACHMENT ANGLE



# UNIVERSAL SERIES EXTERIOR GLAZED AND OUTSWING WINDOWS

**NOTE:** THIS DRAFT DETAIL IS FOR GENERAL ARRANGEMENT PURPOSES ONLY, AND DOES NOT NECESSARILY REPRESENT A DETAIL THAT IS APPROPRIATE FOR A SPECIFIC PROJECT. PRODUCTS AND ACCESSORIES PROVIDED BY CASCADIA MUST BE CONFIRMED FOR SPECIFIC PROJECTS.

CASCADIA WINDOWS LTD.  
#101-5350 275TH STREET  
LANGLEY, BC, CANADA V4W 0C1

DRAWING TITLE: **UNIVERSAL SERIES ® ACCESSORIES**  
STRAP ANCHOR, NAIL FLANGE, FLASHING ATTACHMENT ANGLE,  
SILL ANGLE AND COVER CAP

DRAWING NO.: **1.01**

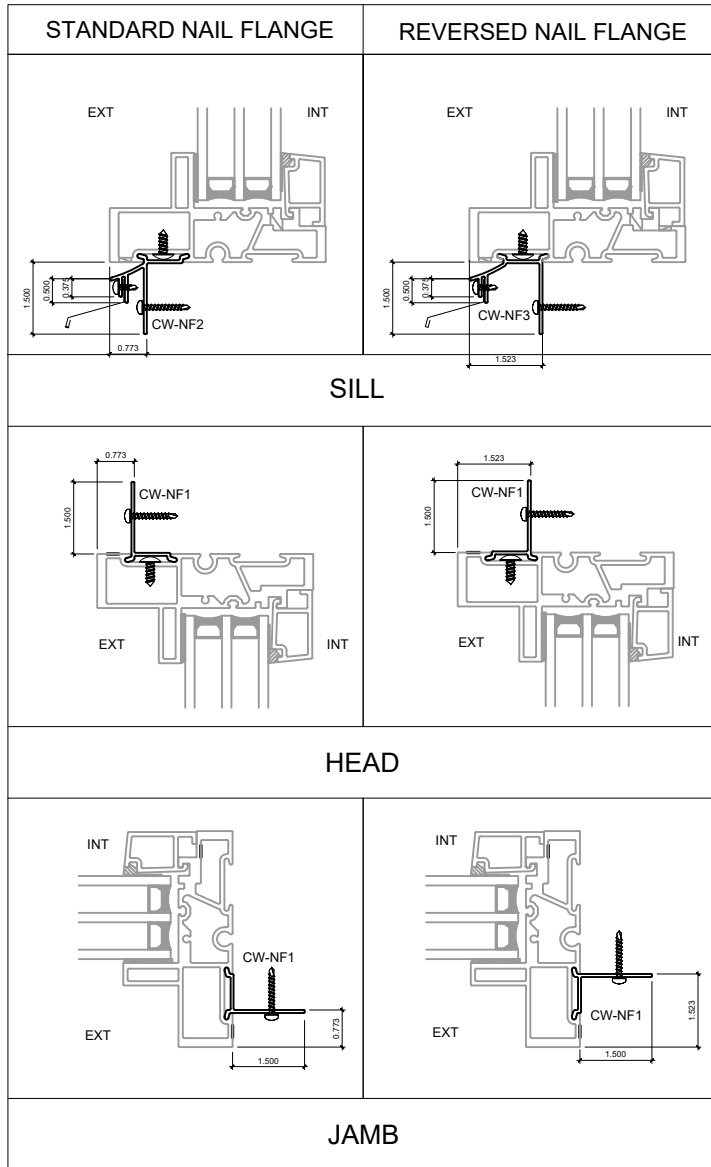
SCALE: 3" = 1'-0"

PATENTED

DATE: 23 NOVEMBER, 2021

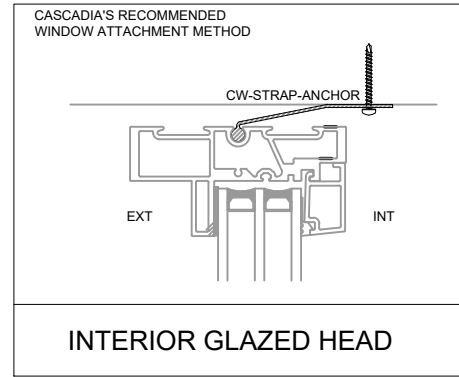
DRAWN BY: JT

# NAIL FLANGE

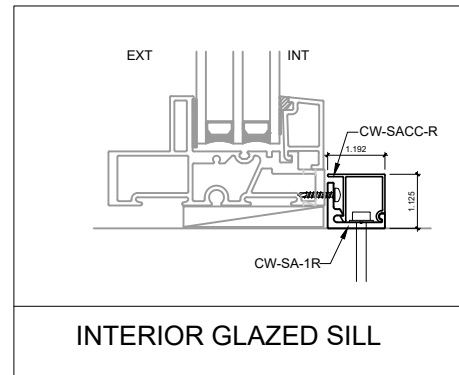


# UNIVERSAL SERIES INTERIOR GLAZED AND INSWING WINDOWS

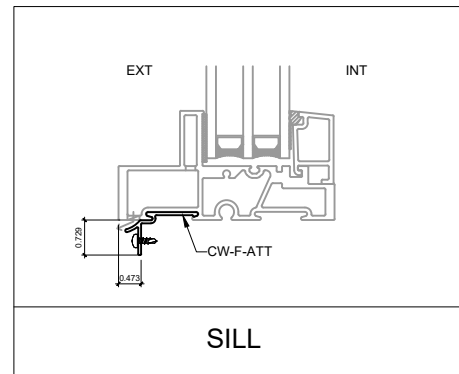
# STRAP ANCHOR



# SILL ANGLE AND COVER CAP



# FLASHING ATTACHMENT ANGLE



**NOTE:** THIS DRAFT DETAIL IS FOR GENERAL ARRANGEMENT PURPOSES ONLY, AND DOES NOT NECESSARILY REPRESENT A DETAIL THAT IS APPROPRIATE FOR A SPECIFIC PROJECT. PRODUCTS AND ACCESSORIES PROVIDED BY CASCADIA MUST BE CONFIRMED FOR SPECIFIC PROJECTS.

CASCADIA WINDOWS LTD.  
#101-5350 275TH STREET  
LANGLEY, BC, CANADA V4W 0C1

DRAWING TITLE: UNIVERSAL SERIES <sup>®</sup> ACCESSORIES  
STRAP ANCHOR, NAIL FLANGE, FLASHING ATTACHMENT ANGLE,  
SILL ANGLE AND COVER CAP

DRAWING NO.: 1.02

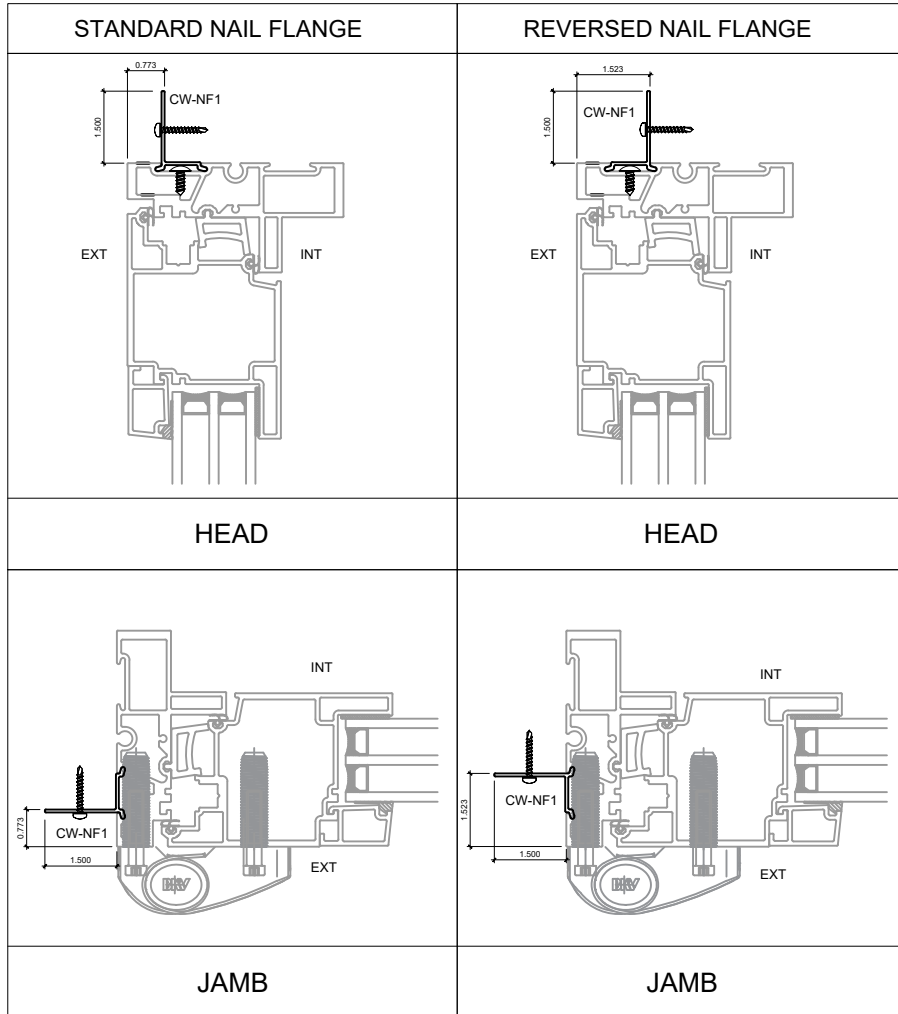
SCALE: 3" = 1'-0"

PATENTED

DATE: 23 NOVEMBER, 2021

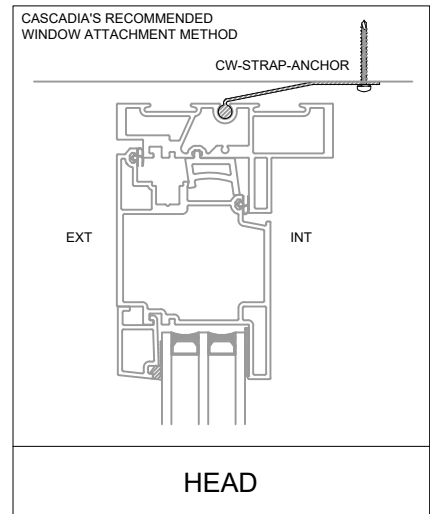
DRAWN BY: JT

## NAIL FLANGE

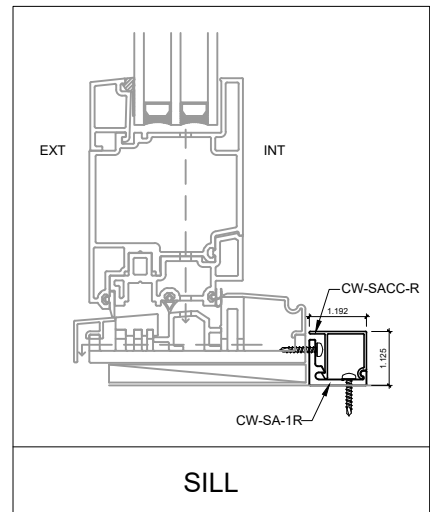


## UNIVERSAL SERIES OUTSWING DOORS

## STRAP ANCHOR



## SILL ANGLE AND COVER CAP



FLASHING ATTACHMENT ANGLE & SILL NAIL FLANGE IS NOT AVAILABLE FOR UNIVERSAL DOORS

**NOTE:** THIS DRAFT DETAIL IS FOR GENERAL ARRANGEMENT PURPOSES ONLY, AND DOES NOT NECESSARILY REPRESENT A DETAIL THAT IS APPROPRIATE FOR A SPECIFIC PROJECT. PRODUCTS AND ACCESSORIES PROVIDED BY CASCADIA MUST BE CONFIRMED FOR SPECIFIC PROJECTS.

CASCADIA WINDOWS LTD.  
#101-5350 275TH STREET  
LANGLEY, BC, CANADA V4W 0C1

DRAWING  
TITLE:

UNIVERSAL SERIES © ACCESSORIES  
STRAP ANCHOR, NAIL FLANGE, SILL ANGLE AND COVER CAP

DRAWING NO.:

1.03

SCALE: 3" = 1'-0"

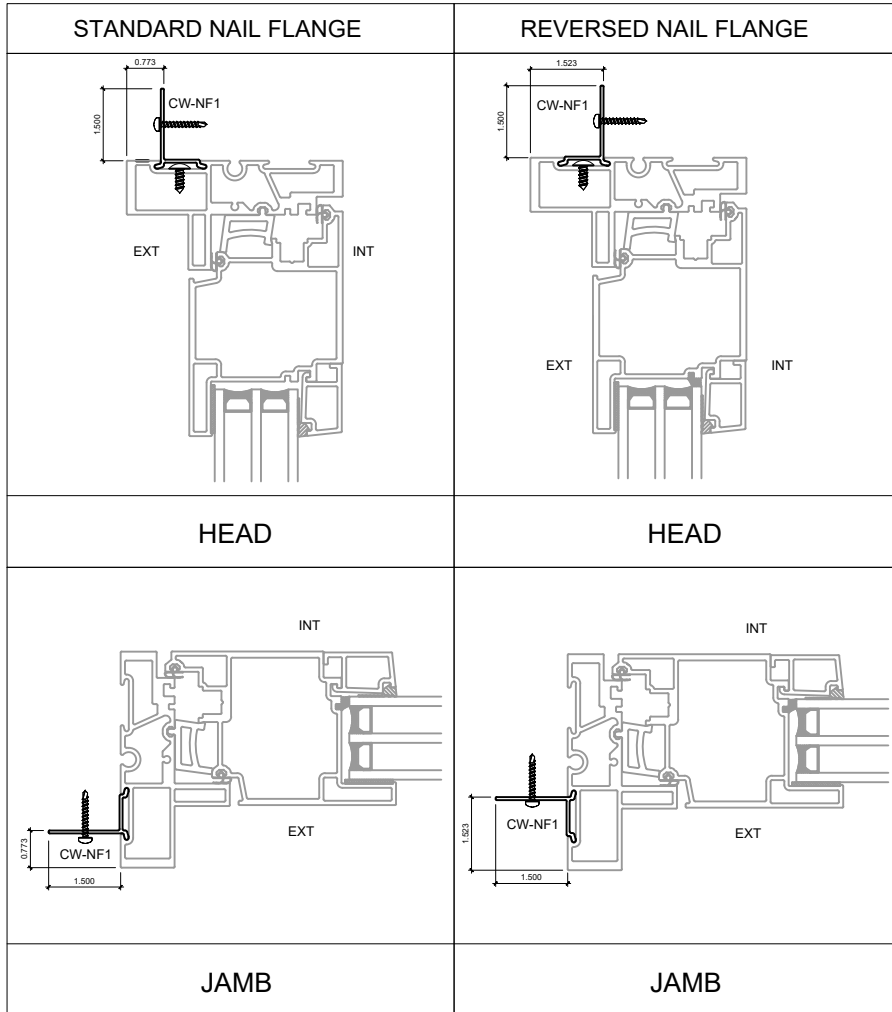
PATENTED

DATE: 23 NOVEMBER, 2021

DRAWN BY:

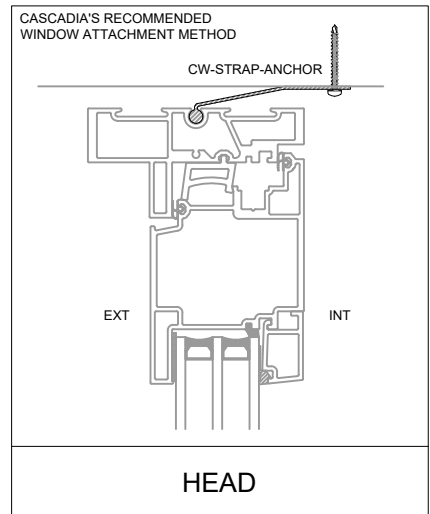
JT

## NAIL FLANGE

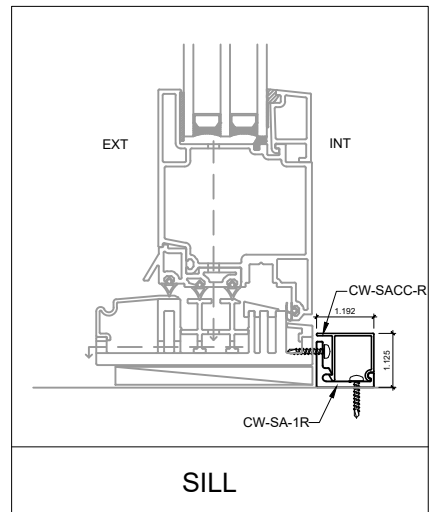


## UNIVERSAL SERIES IN SWING DOORS

## STRAP ANCHOR



## SILL ANGLE AND COVER CAP



FLASHING ATTACHMENT ANGLE & SILL NAIL FLANGE IS NOT AVAILABLE FOR UNIVERSAL DOORS

**NOTE:** THIS DRAFT DETAIL IS FOR GENERAL ARRANGEMENT PURPOSES ONLY, AND DOES NOT NECESSARILY REPRESENT A DETAIL THAT IS APPROPRIATE FOR A SPECIFIC PROJECT. PRODUCTS AND ACCESSORIES PROVIDED BY CASCADIA MUST BE CONFIRMED FOR SPECIFIC PROJECTS.

CASCADIA WINDOWS LTD.  
#101-5350 275TH STREET  
LANGLEY, BC, CANADA V4W 0C1

DRAWING  
TITLE:

UNIVERSAL SERIES © ACCESSORIES  
STRAP ANCHOR, NAIL FLANGE, SILL ANGLE AND COVER CAP

DRAWING NO.:

1.04

SCALE: 3" = 1'-0"

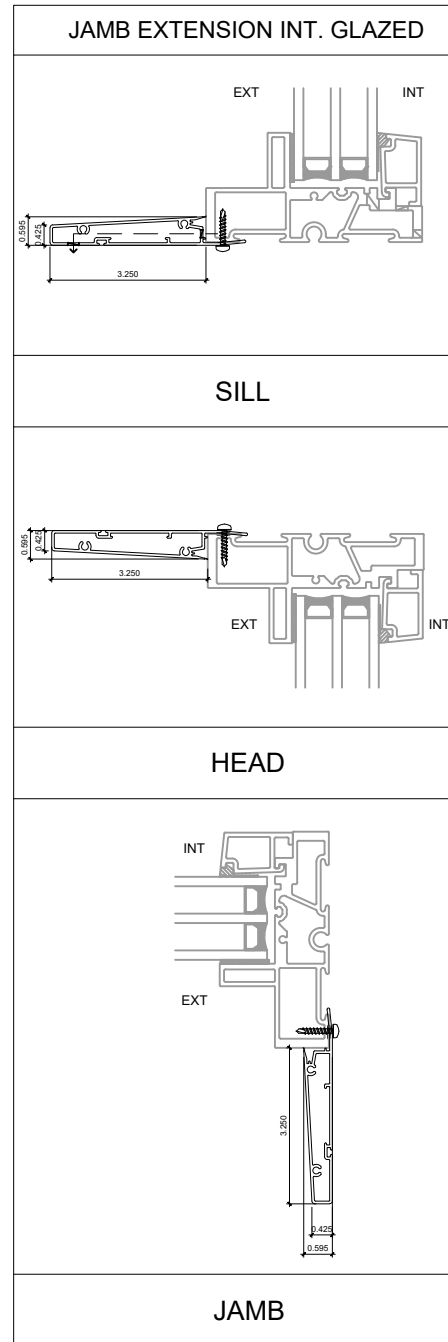
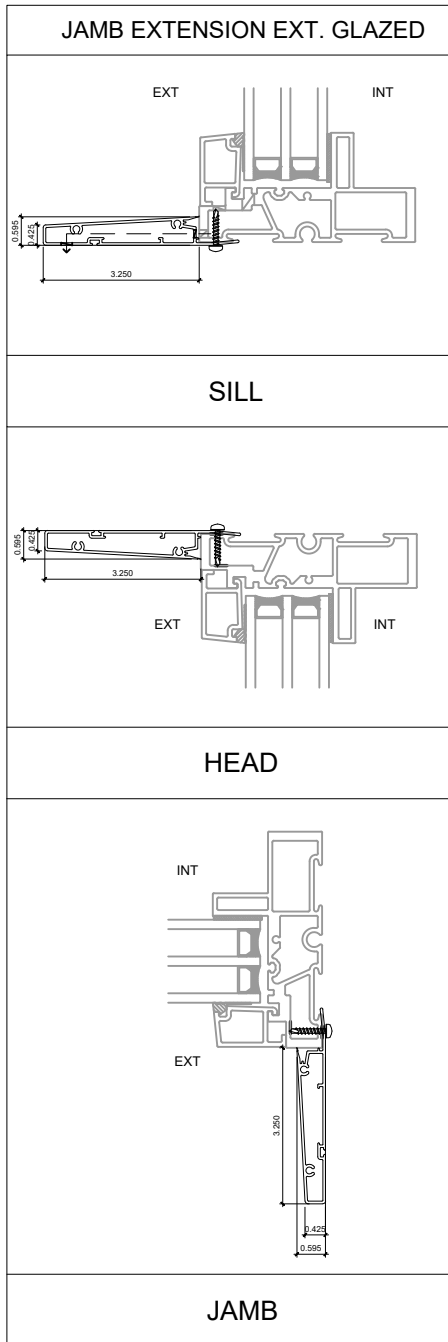
PATENTED

DATE: 23 NOVEMBER, 2021

DRAWN BY:

JT

# UNIVERSAL SERIES EXTERIOR AND INTERIOR GLAZED WINDOWS 3 1/4" JAMB EXTENSION



**NOTE:** THIS DRAFT DETAIL IS FOR GENERAL ARRANGEMENT PURPOSES ONLY, AND DOES NOT NECESSARILY REPRESENT A DETAIL THAT IS APPROPRIATE FOR A SPECIFIC PROJECT. PRODUCTS AND ACCESSORIES PROVIDED BY CASCADIA MUST BE CONFIRMED FOR SPECIFIC PROJECTS.

**CASCADIA WINDOWS LTD.**  
#101-5350 275TH STREET  
LANGLEY, BC, CANADA V4W 0C1

DRAWING  
TITLE:

**UNIVERSAL SERIES © ACCESSORIES**  
JAMB EXTENSIONS

DRAWING NO.:

**1.05**

SCALE: 3" = 1'-0"

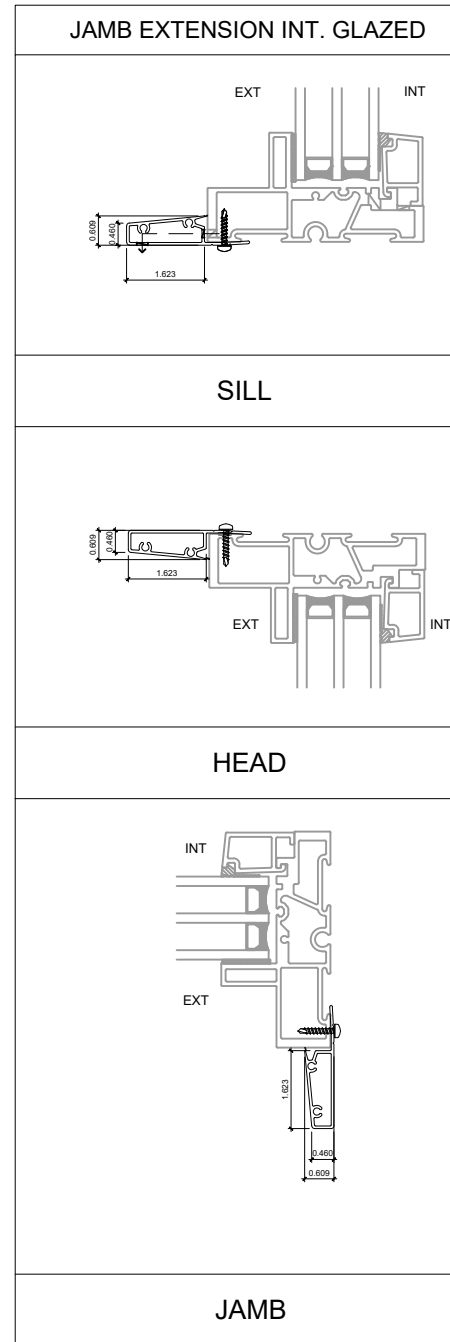
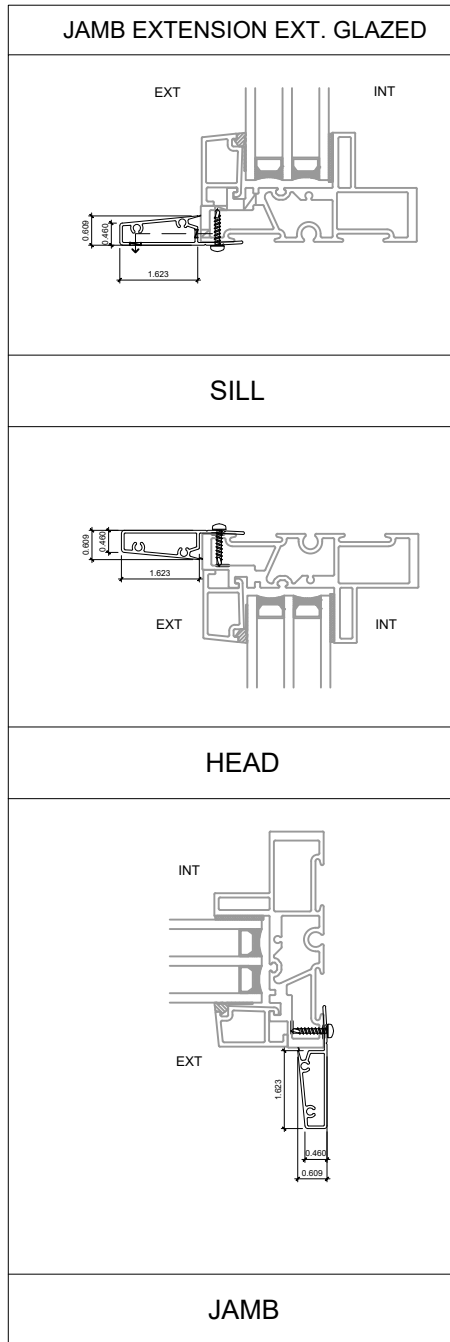
PATENTED

DATE: 23 NOVEMBER, 2021

DRAWN BY:

AP

# UNIVERSAL SERIES EXTERIOR AND INTERIOR GLAZED WINDOWS 1 5/8" JAMB EXTENSION



**NOTE:** THIS DRAFT DETAIL IS FOR GENERAL ARRANGEMENT PURPOSES ONLY, AND DOES NOT NECESSARILY REPRESENT A DETAIL THAT IS APPROPRIATE FOR A SPECIFIC PROJECT. PRODUCTS AND ACCESSORIES PROVIDED BY CASCADIA MUST BE CONFIRMED FOR SPECIFIC PROJECTS.

**CASCADIA WINDOWS LTD.**  
#101-5350 275TH STREET  
LANGLEY, BC, CANADA V4W 0C1

DRAWING  
TITLE:

**UNIVERSAL SERIES © ACCESSORIES**  
JAMB EXTENSIONS

DRAWING NO.:

**1.06**

SCALE: 3" = 1'-0"

PATENTED

DATE: 23 NOVEMBER, 2021

DRAWN BY:

AP